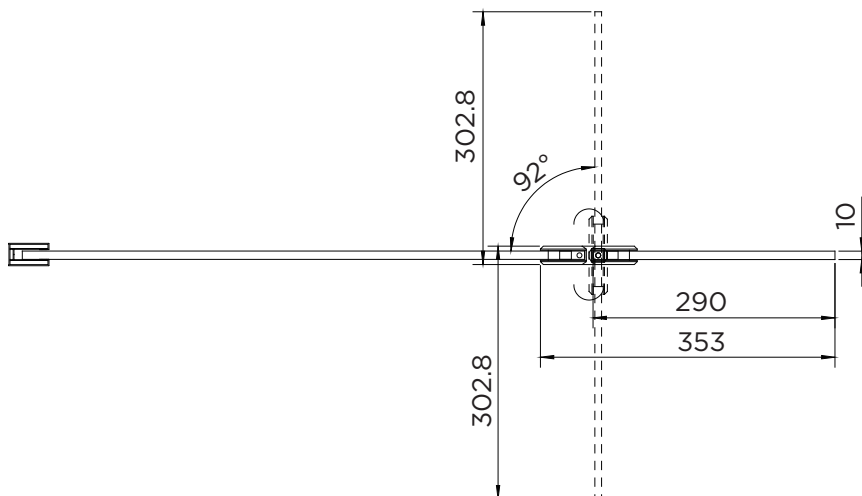


WETROOM SPECIFICATION

wetroom 10

RANGE	WETROOM 10
PRODUCT	WETROOM
CODE	AQ8405K-SM
SIZE	300
PROFILE COLOUR	SMOKED
GLASS THICKNESS	10
GLASS FINISH	CLEAR
GLASS TREATMENT	CLEAN & CLEAR™
HEIGHT	2000
ADJUSTMENT IN RECESS	N/A
ADJUSTMENT WITH SIDE PANEL	N/A
OPTIONAL FLIPPER PANEL	N/A
APERTURE	N/A
GUARANTEE	LIFETIME
CE	YES/EN14428
GLASS BS EN	EN12150-1T
PROFILE MATERIAL	N/A
HANDLE MATERIAL	N/A
HINGE MATERIAL	STAINLESS STEEL
QUICK RELEASE ROLLERS	N/A
GLASS PANEL SIZE	290
MOVING PANEL SIZE	N/A
PRODUCT HAND	UNIVERSAL
PRODUCT WEIGHT	18KG
PACKAGED DIMENSIONS	2075x345x75
BARCODE	5031978044111



*All shower enclosures carry a Lifetime Guarantee when fitted with an Aquadart shower tray, a 10 year Guarantee will be given when fitted with any other manufacturer's tray.

To register your Guarantee visit: www.aquadart.co.uk | Spare Parts available at: www.aprilaquadartspares.co.uk

All measurements in mm and are nominal