



Bakasan Seat & Cover, Metal Pillars, Stainless Steel Rod, Top Access

Illustrated

S4060 Bakasan seat and cover with stainless steel rod and metal top fixing hinges

Configuration options

Material

Plastic

Weights

S4060 2.10KG

Colours

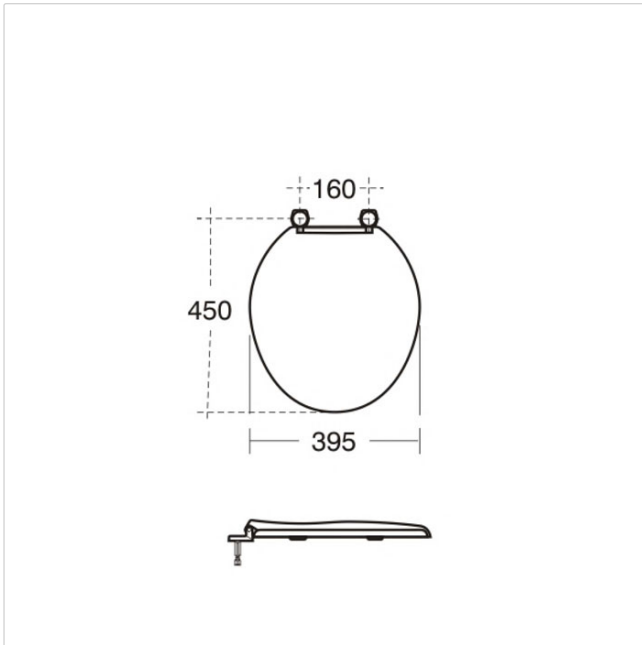
White (01)

Standards

Seat to BS 1254

Special Notes

Fixing allows adjustment between 15cm and 18cm nominal centres. Seat projection can be adjusted to suit the WC



Frequently used applications

Education	Factory
General Healthcare	Hotels
Office	Public Building
Pubs and Clubs	Retail
Sports and Leisure	Vandal Risk