

PRODUCT DATA SHEET

BOW2500

TANK AND BUND

The inner tank provides the required storage area, the outer tank forms the required bund, with capacity for 110% of the total liquid being stored.

The tank is suitable for storage of Diesel, Kerosene, Water and certain other oils.
Please check before usage

THIS TANK COMPLIES WITH:

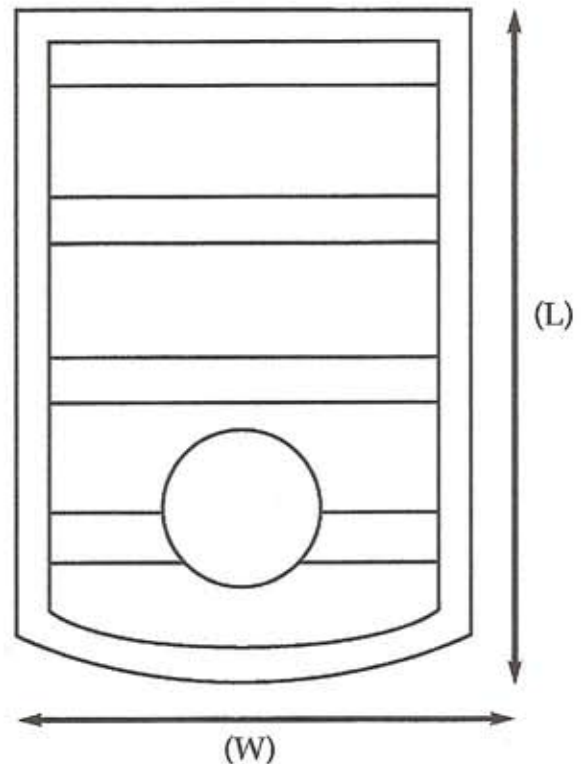
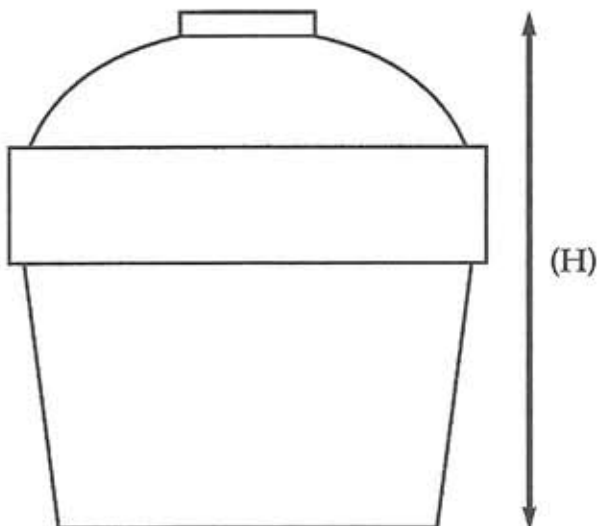
OFTEC requirements and Oil Pollution Prevention Guidelines (England and Wales)
2002 PPG2.

SPECIFICATIONS:

- * Tough Polyethylene Plastic
- * 18" outer lid
- * Funnell Fill Point
- * 2500 litres (550 galls) capacity

DIMENSIONS:

Length: 2640mm
Width: 1450mm
Height: 1620mm



THINK TANKS - THINK ATLANTIS