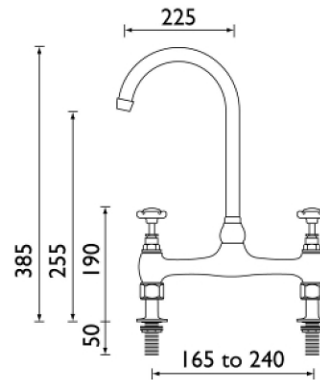


## 1901 BRIDGE SINK MIXER

### Product Specification

Product Code:	N DSM C
Finish:	Chrome plated
Product Type:	Traditional
Construction:	Bodies are of all brass construction and is designed to conform to BS EN 200
Valve Type:	Ceramic disc valves
Supply:	Suitable for all plumbing systems
Inlet Connections:	½ " BSP
Working Pressures:	Min 0.2 Bar Max 8.0 Bar
Dimensions for Fitting:	165 – 240 mm inlet centres



### Additional Information

- Dual flow
- Chrome plated to BS EN 248.
- Supplied with metal backnuts.

**Technical Advice:** For further information please call 0844 7016273 or email [customer care@bristan.com](mailto:customer care@bristan.com).

**Guarantee:** 5 years covering manufacturing faults.

### Compliance / Approvals

**WRAS:** Certificate No: 0703069

### Flow Rates (litres per minute)

System Pressure	0.2bar	0.3bar	0.5bar	1.0 bar	2.0 bar	3.0bar	4.0bar	5.0bar
N DSM C (mixed)	12.2	14.9	21.9	32.1	45.4	55.6	64.2	71.8