

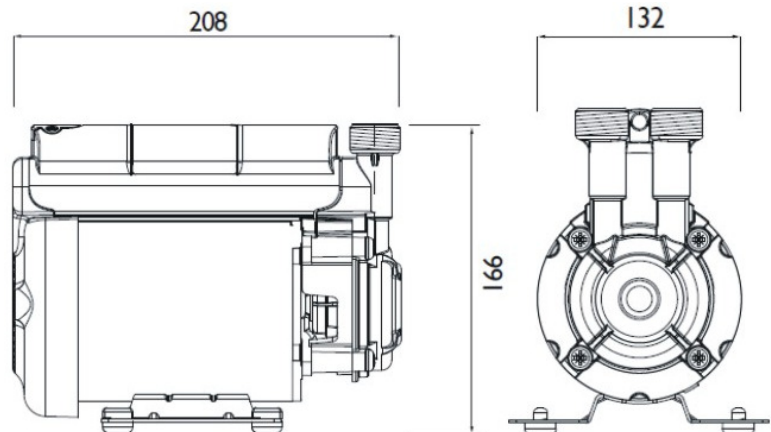
TECHNICAL DATA SHEET

SHOWER PUMP

2 Bar Single Impeller Shower Pump Powered By Stuart Turner

Product Specification

Product Code:	ST PUMP20SG
Pump Type:	Single speed single impeller
Power Supply:	230 Volts AC
Power Consumption:	215 Watts
Inlet Connections:	Flexible hose – 15mm push fit
Outlet Connections:	Flexible hose – 15mm push fit
Pump Rating:	2 bar / 17 LPM
Motor Rating:	30 minutes on / 30 minutes off
Supply:	Suitable for gravity systems only
Max head:	10 metres
Max head (closed valve):	19 metres
Max working pressure:	3.0 bar



Additional Information

- Single impeller for boosting one water supply
- Fully automatic flow switch control – pump automatically starts when flow of water exceeds 0.8 litres per minute.
- Pump rated at 2 bar pressure equivalent to 20 metres head height.
- High boost performance
- Low noise - fitted with anti-vibration feet
- Min inlet water temperature - 4°C
- Max inlet water temperature - 65°C
- Max number of starts per hour – 60
- Max ambient air temperature - 40°C

Technical Advice: For further information please call 0844 7016273 or email customer care@bristan.com

Guarantee: 2 years covering manufacturing faults.

Compliance / Approvals

WRAS: Certificate N°: 1003095

CE Mark:

Bristan, Birch Coppice Business Park, Dordon, Tamworth, B78 1SG
Telephone: 0844 701 6274 Facsimile: 0844 701 6275
Web Site: www.bristan.com Email: enquire@bristan.com

