

## TECHNICAL DATA SHEET

### ARTISAN 3 DUAL CONTROL RANGE AR3 SHCMT C

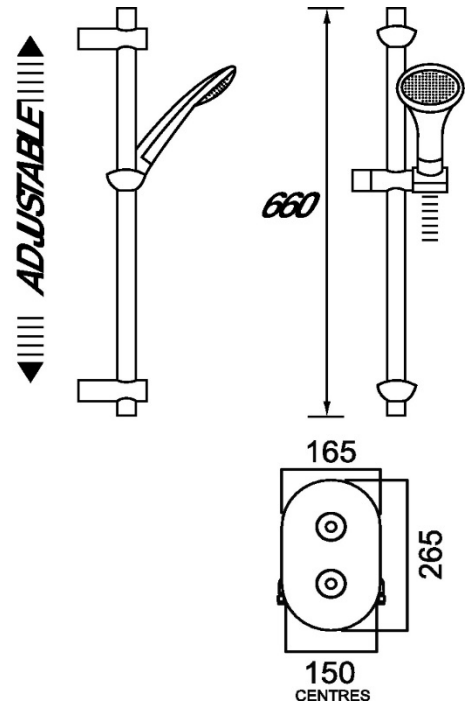
#### Product Specification

<b>Product Code:</b>	AR3 SHCMT C
<b>Finish:</b>	Chrome
<b>Product Type:</b>	Contemporary
<b>Construction:</b>	Body is of brass construction
<b>Supply:</b>	Suitable for all plumbing conditions, preferably balanced. The inlet hot water temperature must be at least 10% above the required blend temperature.
<b>Inlet Connections:</b>	15mm Compression connections
<b>Working Pressures:</b>	Working pressures 0.2-5.0 Bar
<b>Maximum Static Pressure:</b>	10 Bar



#### Additional Information

- Chrome plated to BS EN 248
- Suitable for cavities between 45-75mm
- Minimum cold water supply temperature is 5°C
- Maximum hot water supply temperature is 80°C
- Flow rates at 0.2 Bar (open outlet without flow regulators) 8.0 l/min
- Fully serviceable from the front



**Technical Advice:** For further information please call 0844 7016273 or email [customer care@bristan.com](mailto:customer care@bristan.com)

**Guarantee:** 5 years covering manufacturing faults.

System Pressure	0.1bar	0.2bar	0.5bar	1.0bar	2.0bar
AR3 SHCMT C - Outlet 1	3.9	7.5	14.1	21	30.5