

TECHNICAL DATA SHEET

CHAMPAGNE SINK MIXER

CHAMPAGNE Easyfit Kitchen Sink Mixer Chrome Plated

Product Specification

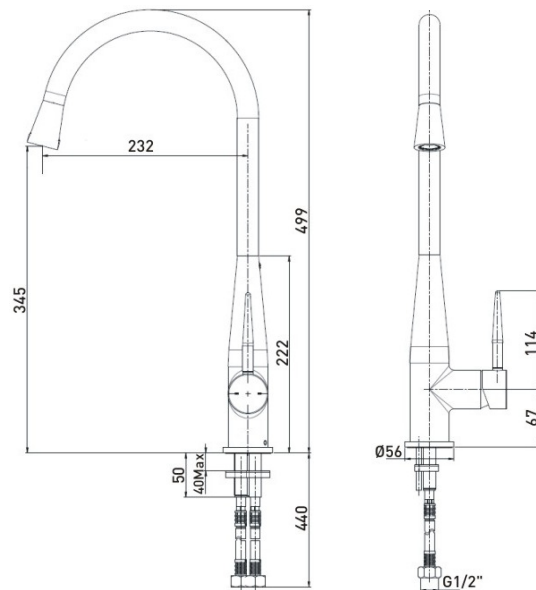
Product Code:	CHM EFSNK C
Finish:	Chrome
Product Type:	Contemporary
Construction:	Body is of brass construction and is designed to conform to BS EN 200
Valve Type:	Ceramic Cartridge
Supply:	Suitable for all plumbing systems Preferably Balanced
Inlet Connections:	½" BSP
Working Pressures:	Min 0.5bar, Max 5.0bar

Easyfit
FASTER. SMARTER.



Additional Information

- Unique patented technology.
- Designed with the installer in mind to ensure installation and future maintenance is made quick and easy.
- Ceramic disc cartridge for added durability and ease of use.
- Supplied with flexible connecting pipes.
- Supplied with easy to use metal lever handle.
- Chrome plated to BS EN 248.



Technical Advice: For further information please call 0844 7016273 or email customercare@bristan.com

Guarantee: 5 years covering manufacturing faults.

Flow Rates (litres per minute)

System Pressure	0.3bar	0.5bar	1.0bar	2.0bar	3.0bar	4.0bar
CHM EFSNK C (Mixed)	11.0	15.0	21.6	31.4	38.5	44.7



EASY TO USE



Guarantee



Delivery



0844 7016273