

# TECHNICAL DATA SHEET

# BRISTAN

## CLUB

### CLUB DECK SINK MIXER

#### Product Specification

Product Code:	VAC DSM C MT, VAC DSM C NH
Finishes:	Chrome
Product Type:	Contemporary
Construction:	Tap bodies are of all brass construction
Valve Type:	½" Standard valve
Supply:	Suitable for all plumbing systems, preferably balanced
Inlet Connections:	½" BSP
Water Pressure:	Min 0.2 bar Max. 7.0 bar



#### Additional Information

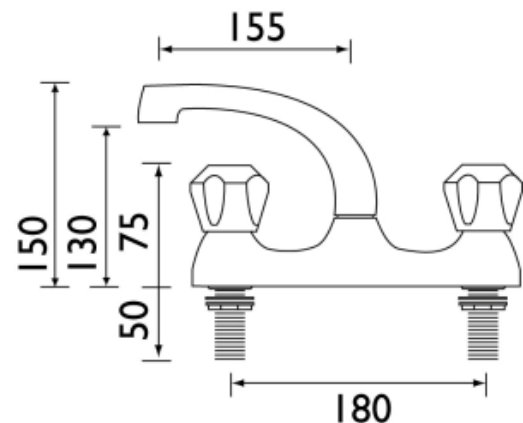
- Dual flow
- Supplied with metal heads
- Supplied with metal fixing nut
- Chrome plated to BS EN 248
- VAC DSM C NH – (supplied with no heads)

#### Compliance/Approvals

WRAS: Certificate No. 0907109

Technical Advice: For further information please call 0844 7016273  
or email [customer care@bristan.com](mailto:customer care@bristan.com)

Guarantee: 5 years covering manufacturing faults.



#### Flow Rates (litres per minute)

System Pressure	0.2bar	0.4bar	1.0bar	2.0bar	3.0bar	5.0bar
Deck Sink Mixer	12.7	18.4	28.0	40.5	49.6	64.1

Bristan, Birch Coppice Business Park, Dordon, Tamworth, B78 1SG  
Telephone: 0844 701 6274 Facsimile: 0844 701 6275  
Web Site: [www.bristan.com](http://www.bristan.com) Email: [enquire@bristan.com](mailto:enquire@bristan.com)



The information contained on this page was correct at date of issue. Fitting dimensions are provided as a guide only. Some variation may occur due to manufacturing tolerances. Bristan pursues a policy of continuing improvement in design and performance of its products and so reserves the right to change specifications without prior notice.