

# TECHNICAL DATA SHEET

# BRISTAN

## CLUB

### CLUB MONOBLOC SINK MIXER

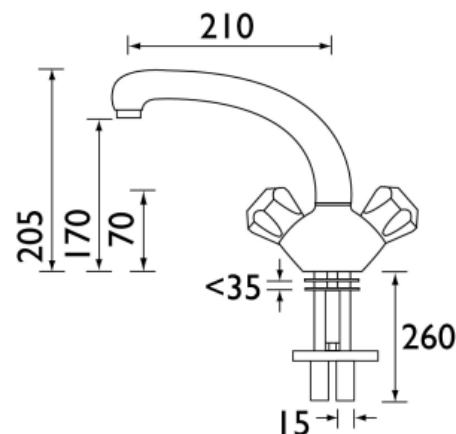
#### Product Specification

Product Code:	VAC SNK C MT, VAC SNK C NH
Finishes:	Chrome
Product Type:	Contemporary
Construction:	Tap bodies are of all brass construction
Valve Type:	1/2" Standard valve
Supply:	Suitable for all plumbing systems, preferably balanced
Inlet Connections:	15mm Copper tails
Water Pressure:	Min 0.2 bar Max 7.0 bar



#### Additional Information

- Dual flow
- Supplied with metal heads
- Supplied with fixing nut
- Chrome plated to BS EN 248
- VAC SNK C NH – (supplied with no heads)



#### Compliance/Approvals

WRAS: Certificate No. 0907105

Technical Advice: For further information please call 0844 7016273 or email [customer care@bristan.com](mailto:customer care@bristan.com)

Guarantee: 5 years covering manufacturing faults.

#### Flow Rates (litres per minute)

System Pressure	0.2bar	0.4bar	1.0bar	2.0bar	3.0bar	5.0bar
Monobloc Sink Mixer	8.2	11.9	19.1	26.3	32.2	41.6

Bristan, Birch Coppice Business Park, Dordon, Tamworth, B78 1SG  
Telephone: 0844 701 6274 Facsimile: 0844 701 6275  
Web Site: [www.bristan.com](http://www.bristan.com) Email: [enquire@bristan.com](mailto:enquire@bristan.com)



The information contained on this page was correct at date of issue. Fitting dimensions are provided as a guide only. Some variation may occur due to manufacturing tolerances. Bristan pursues a policy of continuing improvement in design and performance of its products and so reserves the right to change specifications without prior notice.