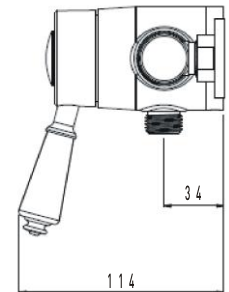
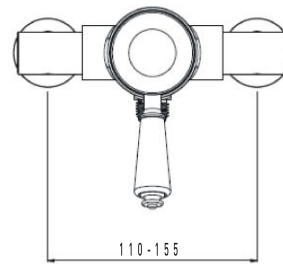


COLONIAL COLONIAL THERMOSTATIC SURFACE MOUNTED SHOWER VALVE WITH ADJUSTABLE RISER



Product Specification

Product Code:	KN2 SHXAR C
Finish:	Chrome
Product Type:	Traditional
Construction:	Body is of brass construction
Cartridge Type:	Thermostatic cartridge
Supply:	Suitable for all plumbing systems, preferably balanced
Inlet Connections:	15mm compression elbows
Outlet Connection:	G 1/2"
Water Pressure:	Min. 0.1 bar, Max. 5.0 bar
Dimensions for Fitting:	110-155mm inlet centres

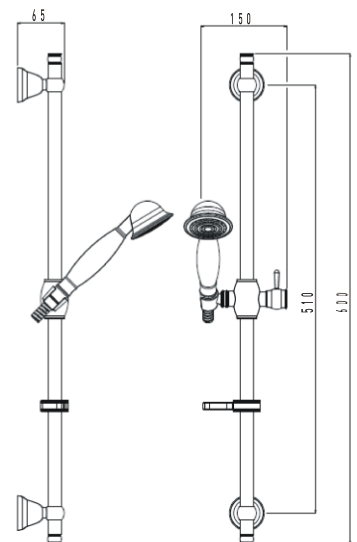


Additional Information

- Single Lever Control – on/off and temperature are controlled by an easily operated single handle.
- Thermostatic cartridge maintains showering temperature to +/- 1°C by compensating for changes in the incoming water temperature and pressure providing a stable outlet temperature.
- Automatic shut off in the event of hot or cold water supply failure, thus reducing the risk of injury.
- Factory set to a maximum of 43°C to eliminate the ability to select an unsafe temperature - this can be adjusted to suit user preference.
- Swivel inlet elbows with 110-155 centres, valves can be fed from top, bottom or rear.
- Supplied with 1.5m shower hose, riser rail, hose retainer and single function handset.
- Supplied with a longer pair of elbows to give maximum inlet centres of 155mm.
- Chrome plated to BS EN 248.

Technical Advice: For further information please call 0844 7016273 or email customercare@bristan.com

Guarantee: 5 years covering manufacturing faults.



Flow Rates (litres per minute, open outlet)

System Pressure	0.1bar	0.2bar	0.5bar	1bar	2bar	3bar	5bar
Flow regulators fitted	--	--	--	6.7	7.2	7.5	7.8
Without Flow regulators fitted	5.9	10.0	18.9	--	--	--	--

