

TECHNICAL DATA SHEET

LEMON

EasyFit Kitchen Sink Mixer

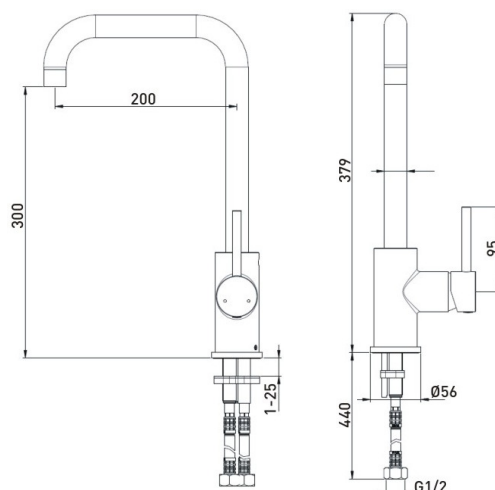
Product Specification

Product Codes & Finishes:	LMN EFSNK C (Chrome) LMN EFSNK BN (Brushed Nickel)
Product Type:	Contemporary
Construction:	Body is of brass construction and is designed to conform to BS EN 200
Valve Type:	Ceramic Cartridge
Supply:	Suitable for all plumbing systems Preferably Balanced
Inlet Connections:	½" BSP
Working Pressures:	Min 0.5bar, Max 5.0bar



Additional Information

- Unique patented technology.
- Designed with the installer in mind to ensure installation and future maintenance is made quick and easy.
- Ceramic disc cartridge for added durability and ease of use.
- Supplied with flexible connecting pipes.
- Supplied with easy to use metal lever handle.
- Chrome plated to BS EN 248.



Flow Rates (litres per minute)

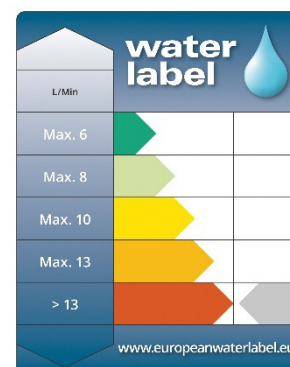
System Pressure	0.5bar	1.0bar	2.0bar	3.0bar	4.0bar	5.0bar
LMN EFSNK BN (Mixed)	9.31	13.16	18.62	22.8	26.33	29.44

Compliance / Approvals

WRAS Approval No: 1312020

Technical Advice: For further information please call 0844 7016273
or email customer@bristan.com

Guarantee: 5 years covering manufacturing faults.



Bristan, Birch Coppice Business Park, Dordon, Tamworth, B78 1SG
Telephone: 0844 701 6274 Facsimile: 0844 701 6275
Web Site: www.bristan.com Email: enquire@bristan.com



The information contained on this page was correct at date of issue. Fitting dimensions are provided as a guide only. Some variation may occur due to manufacturing tolerances. Bristan pursues a policy of continuing improvement in design and performance of its products and so reserves the right to change specifications without prior notice.