

Melba Sink Mixer Melba Sink Mixer

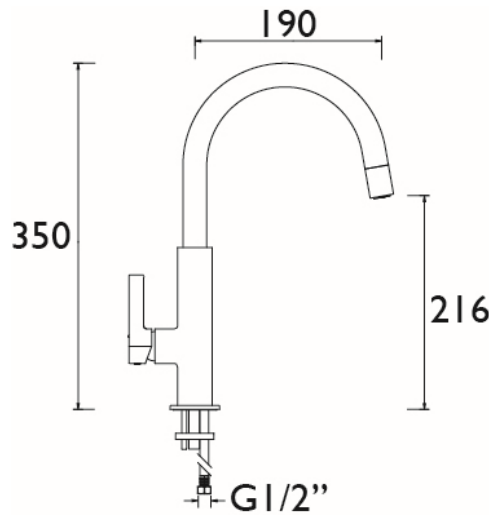
Product Specification

| | |
|--------------------|-----------------------------------------------------------------------|
| Product Code: | MLB SNK BLK |
| Finish: | Chrome/ Black |
| Product Type: | Contemporary |
| Construction: | Body is of brass construction and is designed to conform to BS EN 200 |
| Cartridge Type: | 25mm Cartridge |
| Supply: | Suitable for high pressure plumbing systems |
| Inlet: | M10 x 1/2" BSP Flexible Tails |
| Working Pressures: | Min 1.0bar, Max 5.0bar |



Additional Information

- Supplied with flexible connecting pipes.
- Chrome plated to BS EN 248
- Supplied with metal handle.
- Also available in white- MLB SNK WHT



Technical Advice: For further information please call 0844 7016273 or email customercare@bristan.com

Guarantee: 5 years covering manufacturing faults

Flow Rates (litres per minute)

| System Pressure | 1.0bar | 2.0bar | 3.0bar | 4.0bar | 5.0 bar |
|---------------------|--------|--------|--------|--------|---------|
| MLB SNK BLK (Mixed) | 7.4 | 10.6 | 12.9 | 15.3 | 17.1 |