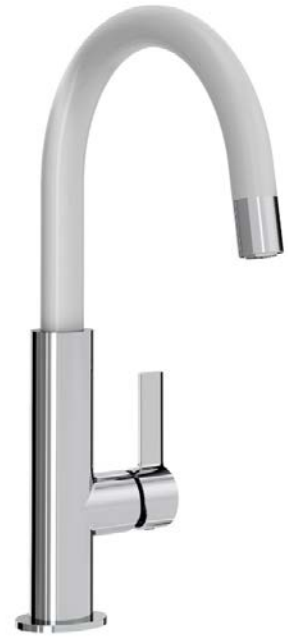


## Melba Sink Mixer Melba Sink Mixer

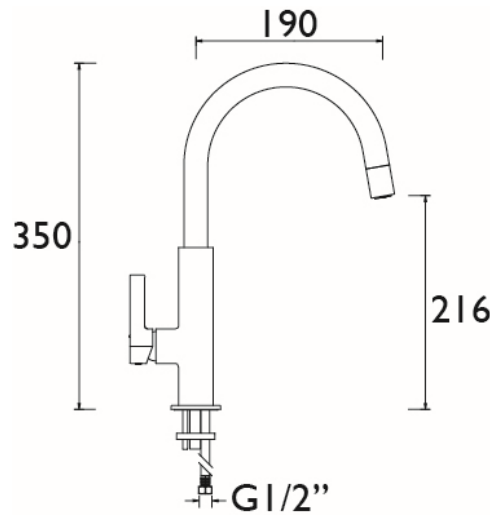
### Product Specification

Product Code:	MLB SNK WHT
Finish:	Chrome/ White
Product Type:	Contemporary
Construction:	Body is of brass construction and is designed to conform to BS EN 200
Cartridge Type:	25mm Cartridge
Supply:	Suitable for high pressure plumbing systems
Inlet:	M10 x 1/2" BSP Flexible Tails
Working Pressures:	Min 1.0bar, Max 5.0bar



### Additional Information

- Supplied with flexible connecting pipes.
- Chrome plated to BS EN 248
- Supplied with metal handle.
- Also available in black- MLB SNK BLK



**Technical Advice:** For further information please call 0844 7016273 or email [customercare@bristan.com](mailto:customercare@bristan.com)

**Guarantee:** 5 years covering manufacturing faults

### Flow Rates (litres per minute)

System Pressure	1.0bar	2.0bar	3.0bar	4.0bar	5.0 bar
MLB SNK WHT (Mixed)	7.4	10.6	12.9	15.3	17.1