

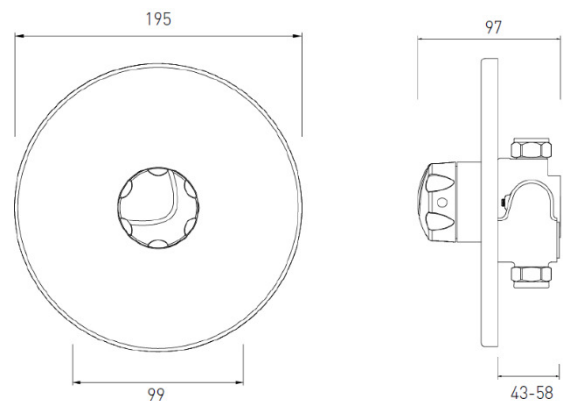
TECHNICAL DATASHEET

COMMERCIAL OPAC MINI THERMOSTATIC CONCEALED SHOWER VALVE WITH CHROME HANDLE

Product Specification



Product Code:	MINI2 TS1203 CH C
Finish:	Chrome
Product Type:	Commercial
Construction:	Body is of brass construction and is designed to conform to BS EN 1111:1999 (HP) & BS EN 1287:1999 (LP)
Valve Type:	Thermostatic Cartridge
Supply:	Suitable for all plumbing systems (Preferably balanced)
Inlet Connections:	15mm compression elbows
Outlet Connections:	½" BSP
Working Pressures:	Min 0.2bar, Max 8.0bar Maximum Static Pressure: 10.0 bar
Dimensions for Fitting:	99mm inlet centres



Suitable for wall cavity depths of between 43-58mm

Additional Information

- Single sequential control for both temperature & flow.
- Anti-vandal stainless steel concealing plate
- Automatic thermostatic shut-off in the event of hot or cold water failure.
- Check valves and serviceable filters as standard
- Supplied as 'valve only' and thus can be customised by choosing accessories from our Pick 'N' Mix showering options. Please see our Product and Price guide for details.
- Inlet centres of 99mm +/- 1mm.
- Chrome plated to BS EN 248.

Technical Advice: For further information please call 0844 7016273 or email customer@bristan.com

Guarantee: 1 year covering manufacturing faults.

Compliance / Approvals

WRAS: Certificate N^o: 1404020

TMV2: Certificate N^o: BC1272/1013 TMV2: Certificate N^o: BC1288/1013

Flow Rates (litres per minute)

System Pressure	0.2bar	0.5bar	1bar	2bar	3bar	4bar	5bar
With Flow Limiter Fitted from 1 bar	11.0	20.0	7.8	8.8	9.1	9.4	9.3

Bristan, Birch Coppice Business Park, Dordon, Tamworth, B78 1SG
Telephone: 0844 701 6274 Facsimile: 0844 701 6275
Web Site: www.bristan.com Email: enquire@bristan.com

