

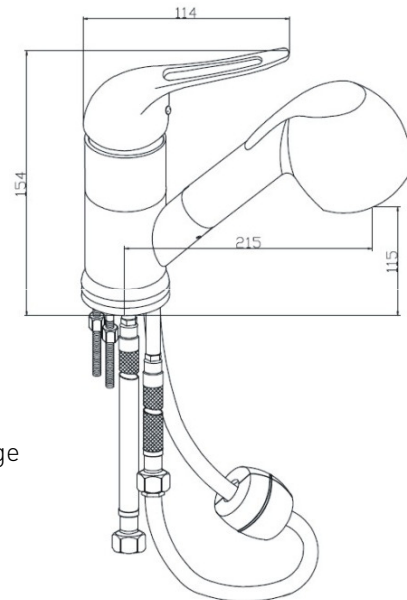
TECHNICAL DATA SHEET

PEAR SINK MIXER

PEAR Kitchen Sink Mixer with Pull Out Hose Chrome Plated

Product Specification

Product Code:	PEA PULLSNK C
Finish:	Chrome
Product Type:	Contemporary
Construction:	Body is of brass construction and is designed to conform to BS EN 2
Valve Type:	Ceramic Cartridge
Supply:	Suitable for all plumbing systems
Inlet Connections:	½" BSP
Working Pressures:	Min 1.5bar, Max 8.0bar



Additional Information

- Single lever control with smooth turning, longer lasting ceramic cartridge
- Pull Out Hose allows for handset use with spray function.
- Product supplied with flexible connection pipes for easier installation.
- Chrome plated to BS EN 248.

Technical Advice:	For further information please call 0844 7016273 or email customer care@bristan.com
Guarantee:	5 years covering manufacturing faults.

Flow Rates (litres per minute)

System Pressure	1.5bar	2.0bar	3.0bar	4.0bar	5.0bar
PEA PULLSNK C (Mixed)	8.2	9.5	11.7	13.5	15.2
PEA PULLSNK C (Spray - Mixed)	6.2	7.2	8.7	10.5	11.0