

# TECHNICAL DATASHEET

# BRISTAN

## PRISM

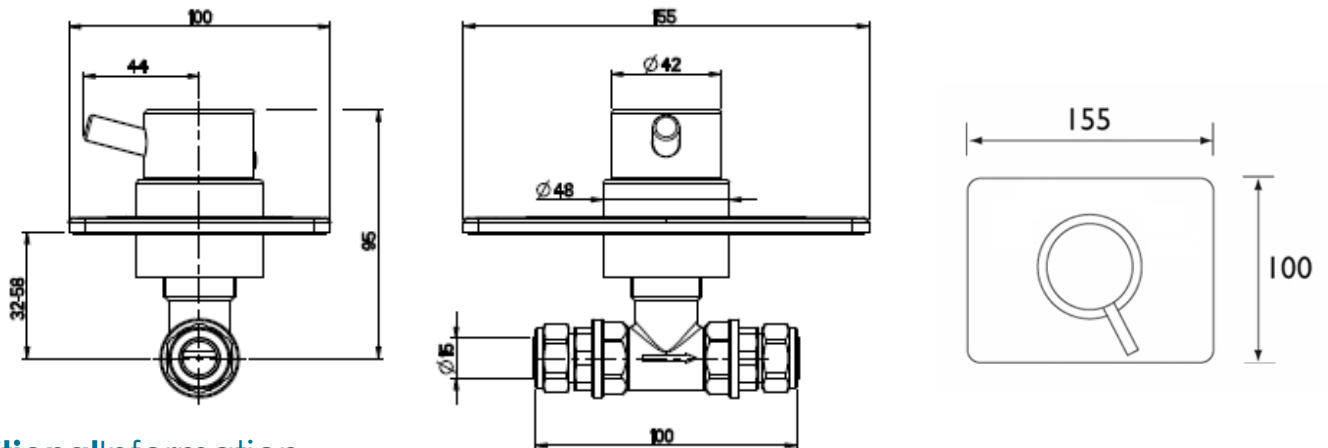
### PRISM STOPCOCK



© Bristan Group 2009

### Product Specification

<b>Product Code:</b>	PM STOP C
<b>Finish:</b>	Chrome
<b>Product Type:</b>	Contemporary
<b>Construction:</b>	Body is of brass construction
<b>Valve Type:</b>	¼ turn ¾" ceramic disc valve
<b>Supply:</b>	Suitable for all plumbing systems
<b>Inlet Connections:</b>	15mm compression
<b>Outlet Connection:</b>	15mm compression
<b>Water Pressure:</b>	Min 0.2 bar, Max. 8.0 bar



### Additional Information

- Single handle control.
- Can be used to control flow of mixed water to outlets, or as hot / cold flow controls feeding outlets.
- Must be supported by rigid pipework.
- Ceramic disc flow valve giving low maintenance and an easy ¼ turn on/off and flow control.
- To be used in conjunction with our Pick 'N' Mix showering options.  
Please see our Product and Price Guide for details
- Chrome plated to BS EN 248
- Concealing plate material = BAS (plastic)

**Technical Advice:** For further information please call 0844 7016273 or email [customer@bristan.com](mailto:customer@bristan.com).  
**Guarantee:** 5 years covering manufacturing faults.

### Compliance/Approvals

Flow Rates (litres per minute, open outlet)

System Pressure	0.2bar	0.5bar	1bar	2bar	3bar	5bar
PM STOP C	6.7	10.3	14.4	20.1	24.6	32.1

