

Saffron Sink Mixer

Saffron Professional Sink Mixer Brushed Nickel

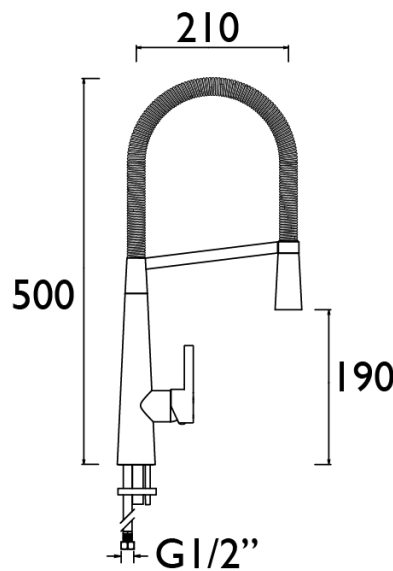
Product Specification

| | |
|--------------------|---|
| Product Code: | SFF PROSNK BN |
| Finish: | Brushed Nickel |
| Product Type: | Contemporary |
| Construction: | Body is of brass construction and is designed to conform to BS EN 200 |
| Cartridge Type: | 35mm Cartridge |
| Supply: | Suitable for high pressure plumbing systems |
| Inlet: | M10 x 1/2" BSP Flexible Tails |
| Working Pressures: | Min 1.5bar, Max 5.0bar |



Additional Information

- Supplied with flexible connecting pipes.
- Supplied with metal handle.



Technical Advice: For further information please call 0844 7016273 or email customercare@bristan.com

Guarantee: 5 years covering manufacturing faults

Flow Rates (litres per minute)

| System Pressure | 1.5bar | 2.0bar | 3.0bar | 4.0bar | 5.0 bar |
|-----------------------|--------|--------|--------|--------|---------|
| SFF PROSNK BN (Mixed) | 4.9 | 5.6 | 7.2 | 8.3 | 9.3 |