

TECHNICAL DATA SHEET

SAIL DUAL CONTROL RANGE SAI SHCVO C

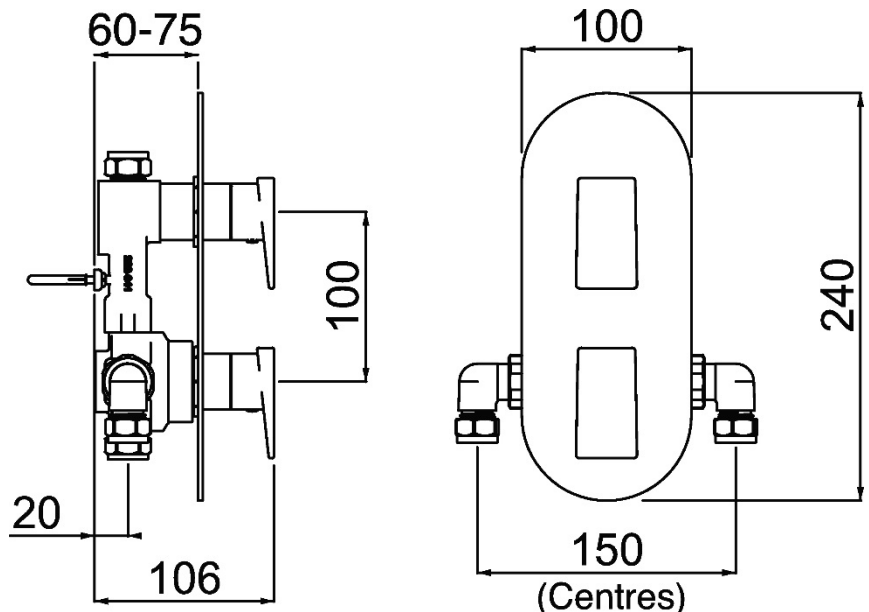
Product Specification

Product Code: SAI SHCVO C
Finish: Chrome
Product Type: Contemporary
Construction: Body is of brass construction
Cartridge Type: Ceramic disc valve
Supply: Suitable for all plumbing conditions, preferably balanced. The inlet hot water temperature must be at least 10% above the required blend temperature.
Inlet Connections: 15mm Compression connections
Working Pressures: Working pressures 0.2-5.0 Bar
Maximum Static Pressure: 10 Bar



Additional Information

- Chrome plated to BS EN 248
- Suitable for cavities between 58-75mm
- Minimum cold water supply temperature is 5°C
- Maximum hot water supply temperature is 80°C
- Flow rates at 0.2 Bar (open outlet without flow regulators) 9.0 l/min
- Requires rear access to service the filters
- Cartridge can be accessed from the front



Technical Advice: For further information please call 0844 7016273 or email customer care@bristan.com

Guarantee: 5 years covering manufacturing faults.

System Pressure	0.1bar	0.2bar	0.5bar	1.0bar	2.0bar
SAI SHCVO C - Outlet 1	3.9	7.5	14.1	21	30.5