

Sherbet Sink Mixer Sherbet Sink Mixer with Pull Out Nozzle

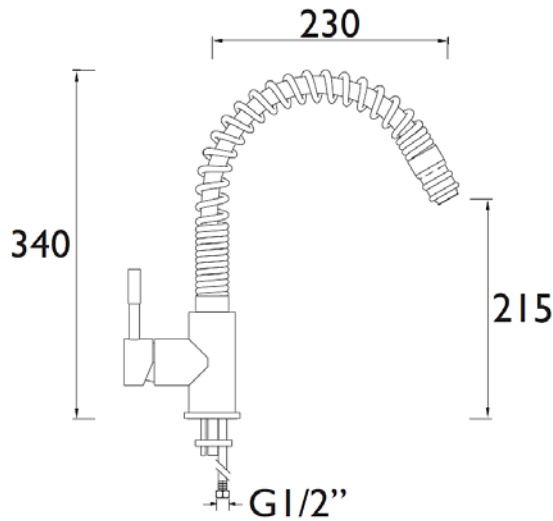
Product Specification

Product Code:	SHR PULLSNK C
Finish:	Chrome
Product Type:	Contemporary
Construction:	Body is of brass construction and is designed to conform to BS EN 200
Cartridge Type:	35mm Cartridge
Supply:	Suitable for high pressure systems
Inlet:	M10 x 1/2" BSP Flexible Tails
Working Pressures:	Min 1.0bar, Max 5.0bar



Additional Information

- Supplied with flexible connecting pipes.
- Supplied with metal handle.
- Chrome plated to BS EN 248.



Technical Advice: For further information please call 0844 7016273 or email customercare@bristan.com

Guarantee: 5 years covering manufacturing faults

Flow Rates (litres per minute)

System Pressure	1.0bar	2.0bar	3.0bar	4.0bar	5.0 bar
SHR PULLSNK C (Mixed)	6.7	9.4	11.7	13.7	15.4