

TECHNICAL DATA SHEET

TANGERINE SINK MIXER

Tangerine Easyfit Kitchen Sink Mixer
 Chrome Plated

Product Specification

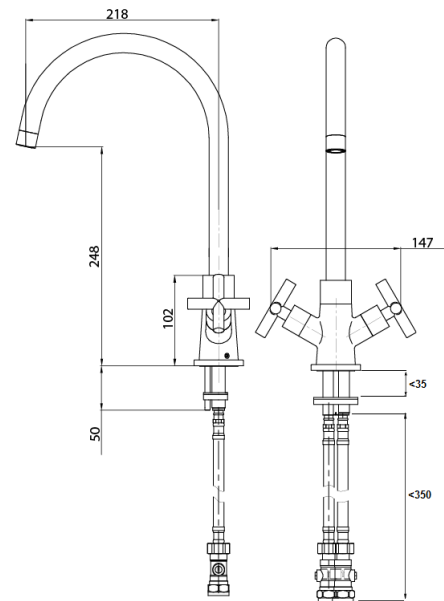
Product Code: TNG EFSNK C
Finish: Chrome
Product Type: Contemporary
Construction: Body is of brass construction and is designed to conform to BS EN 200
Valve Type: Ceramic Cartridge
Supply: Suitable for all plumbing systems (preferably balanced)
Inlet Connections: 1/2" BSP
Working Pressures: Min 0.3bar, Max 5.0bar



Easyfit
 FASTER. SMARTER.

Additional Information

- Unique patented technology.
- Designed with the installer in mind to ensure installation and future maintenance is made quick and easy.
- Ceramic disc cartridge for added durability and ease of use.
- Supplied with flexible connecting pipes.
- Supplied with easy to use metal lever handle.
- Chrome plated to BS EN 248.



Technical Advice: For further information please call 0844 7016273 or email customer care@bristan.com

Guarantee: 5 years covering manufacturing faults.

Flow Rates (litres per minute)

System Pressure	0.3bar	0.5bar	1.0bar	2.0bar	3.0bar
TNG EFSNK C (Mixed)	11.5	14	23.4	33.5	41.5