

TECHNICAL DATA SHEET

BRISTAN

LEVER

LEVER DECK SINK MIXER WITH 3" LEVERS (ALSO AVAILABLE WITH 6" LEVERS)

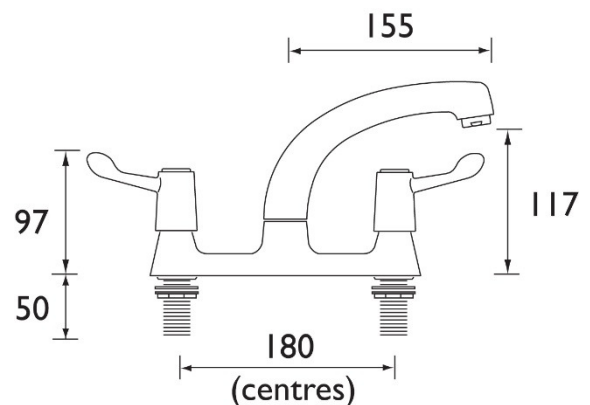
Product Specification

Product Code:	VAL DSM C CD, VAL DSM C 6 CD
Finishes:	Chrome
Product Type:	Contemporary
Construction:	Tap bodies are of all brass construction
Valve Type:	¼ Turn ½" ceramic disc valve
Supply:	Suitable for all plumbing systems, preferably balanced
Inlet Connections:	½" BSP
Water Pressure:	Min 0.2 bar Max. 8.0 bar



Additional Information

- VAL DSM C CD supplied with 3" (76mm) metal levers
- Supplied with metal back nuts
- VAL DSM C 6 CD supplied with 6" (152mm) metal levers
- Chrome plated to BS EN 248



Compliance/Approvals

WRAS: Certificate No. 909070

Technical Advice: For further information please call 0844 7016273
or email customercare@bristan.com

Guarantee: 5 years covering manufacturing faults.

Flow Rates (litres per minute)

System Pressure	0.2bar	0.4bar	1.0bar	2.0bar	3.0bar	5.0bar
Hot	6.3	9.6	15.7	22.6	27.9	36.0
Cold	7.4	11.2	18.4	26.4	32.7	42.5
Mixed	13.5	20.67	34.2	49.1	60.9	78.7

Bristan, Birch Coppice Business Park, Dordon, Tamworth, B78 1SG
Telephone: 0844 701 6274 Facsimile: 0844 701 6275
Web Site: www.bristan.com Email: enquire@bristan.com



The information contained on this page was correct at date of issue. Fitting dimensions are provided as a guide only. Some variation may occur due to manufacturing tolerances. Bristan pursues a policy of continuing improvement in design and performance of its products and so reserves the right to change specifications without prior notice.