

# TECHNICAL DATA SHEET

# BRISTAN

## LEVER

## LEVER PILLAR BRIDGE SINK MIXER WITH 3" LEVERS

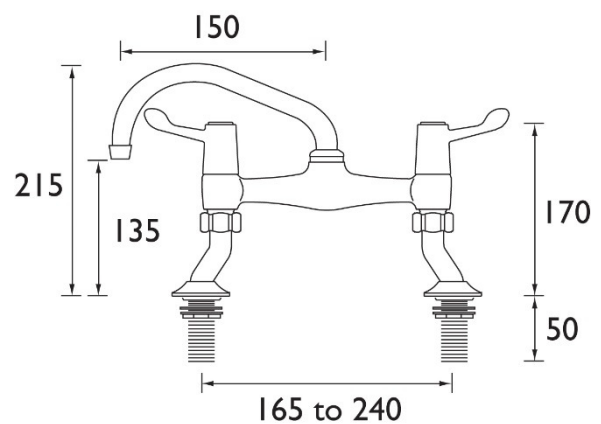
### Product Specification

|                    |  |
|--------------------|--|
| Product Code:      | VAL PSNK C CD  |
| Finishes:          | Chrome   |
| Product Type:      | Contemporary   |
| Construction:      | Tap bodies are of all brass construction               |
| Valve Type:        | ¼ Turn ½" ceramic disc valve                           |
| Supply:            | Suitable for all plumbing systems, preferably balanced |
| Inlet Connections: | ½" BSP   |
| Water Pressure:    | Min 0.2 bar, Max. 7.0 bar                              |



### Additional Information

- Dual flow
- Supplied with 3" (76mm) metal levers
- Supplied with metal back nuts
- Chrome plated to BS EN 248



### Compliance/Approvals

WRAS: Certificate No. 0910007

Technical Advice: For further information please call 0844 7016273 or email [customer@bristan.com](mailto:customer@bristan.com)

Guarantee: 5 years covering manufacturing faults.

### Flow Rates (litres per minute)

| System Pressure   | 0.2bar | 0.4bar | 1.0bar | 2.0bar | 3.0bar | 5.0bar |
|-------------------|--------|--------|--------|--------|--------|--------|
| Pillar Sink Mixer | 8.9    | 12.9   | 19.5   | 28.5   | 34.9   | 45.0   |

Bristan, Birch Coppice Business Park, Dordon, Tamworth, B78 1SG  
Telephone: 0844 701 6274 Facsimile: 0844 701 6275  
Web Site: [www.bristan.com](http://www.bristan.com) Email: [enquire@bristan.com](mailto:enquire@bristan.com)



The information contained on this page was correct at date of issue. Fitting dimensions are provided as a guide only. Some variation may occur due to manufacturing tolerances. Bristan pursues a policy of continuing improvement in design and performance of its products and so reserves the right to change specifications without prior notice.