

## MAINTENANCE

ALWAYS ENSURE THAT THE MAIN EXTERNAL ELECTRICAL SUPPLY IS SWITCHED OFF BEFORE ANY MAINTENANCE IS CARRIED OUT.

To obtain the best results from the heater, it is necessary to avoid any accumulation of dust or dirt within the unit or on the air inlet grille. The unit should be cleaned regularly.

## PROTECTION (Thermal Cut-out)

The units are protected from overheating in the event of fan failure, or an obstruction of the free airflow, by an auto reset thermal cut-out. If this happens the thermal cut-out effectively switches the appliance off. The appliance will not operate until it has cooled down. If this fault re-occurs, refer to 'fault conditions'.

## FAULT CONDITIONS

If the heater will not operate, disconnect it from the mains and arrange for a certified electrician to attend to investigate the reason.

## SAFETY

This equipment has been designed and manufactured to the highest international standards but, like all electrical appliances which are operated by mains voltage, care must be taken if you are to obtain the best results and safety is to be assured.

NOTE: The appliance is not intended for use by persons (including children) with reduced physical, sensory or mental capabilities, or lack of experience and knowledge unless they have been given supervision or instruction concerning use of the appliance by a person responsible for their safety.

Children should be supervised to ensure that they do not play with the appliance.

- Do NOT use this appliance in bathrooms or where similar conditions of excessive moisture are present.
- Do NOT handle the appliance with wet hands.
- Do NOT use the appliance in an enclosed room so small that the heater will generate ambient temperatures in excess of 30°C.
- Do NOT use the appliance with young children unattended.
- Do NOT use the appliance in rooms where excessive dust is generated or present.
- Do NOT touch THE outlet grille when appliance is in use.
- Do NOT cover or restrict any aperture of the appliance when in use.
- Do NOT use the appliance if damaged.

If the appliance has been kept in freezing conditions, run at cold/fan setting for 5 minutes before using heat settings.

This appliance meets the requirements of EU Directive 98/336/EEC for EMC.

## GUARANTEE

This guarantee is offered to you as an extra benefit and does not affect your legal rights.

All electrical appliances produced for the Company are guaranteed for one year against faulty material or workmanship. This applies only if the appliance has been used for purposes in accordance with the instructions provided and has not been connected to an unsuitable electricity supply, or subject to misuse, neglect, damage or modified or repaired by any person not authorised by us.

The correct electricity supply voltage is shown on the rating label attached to the appliance.

Please retain your receipt as proof of purchase.

## CUSTOMER HELPLINE

Should you need any advice on the use of your new Consort product, or should you require service or repair, please contact our Helpline:

☎ 01646 692172 Mon to Fri 8.30 am to 3.30 pm

Consort Equipment Products Limited

Thornton Industrial Estate, Milford Haven, Pembrokeshire, SA73 2RT

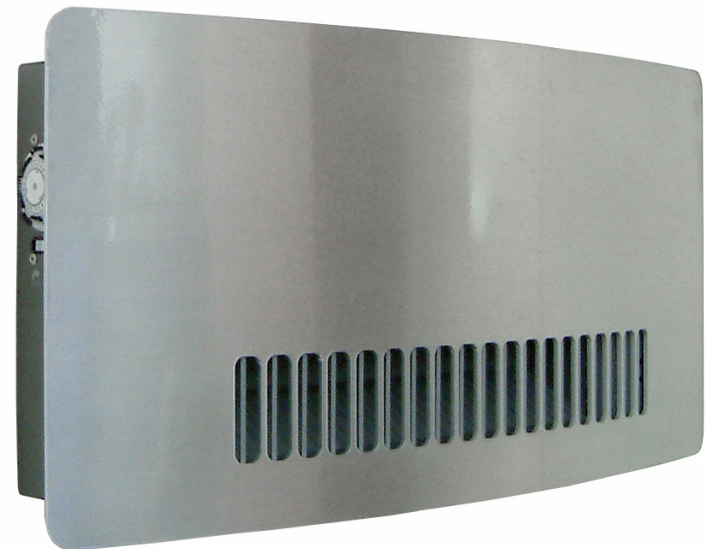
Fax: 01646 69519 Email: [enquiries@consortepl.com](mailto:enquiries@consortepl.com) Web: [www.consortepl.com](http://www.consortepl.com)

# CONSORT

## Quality Space Heaters

### INSTALLATION, OPERATION AND MAINTENANCE INSTRUCTIONS FOR CHELSEA WALL MOUNTED FAN HEATER

Catalogue Numbers: WMH3 & WMH3T (brushed aluminium fascia)



PLEASE RETAIN THIS LEAFLET FOR FUTURE MAINTENANCE

## INSTALLATION

Ensure the electricity supply is disconnected from any relevant fixed wiring before commencing the installation. The supply circuit must be adequate for the input of the appliance and must be protected by a 13 Amp fuse.

The heater must not be located immediately below a fixed socket outlet.

## CONNECTION TO THE MAIN SUPPLY

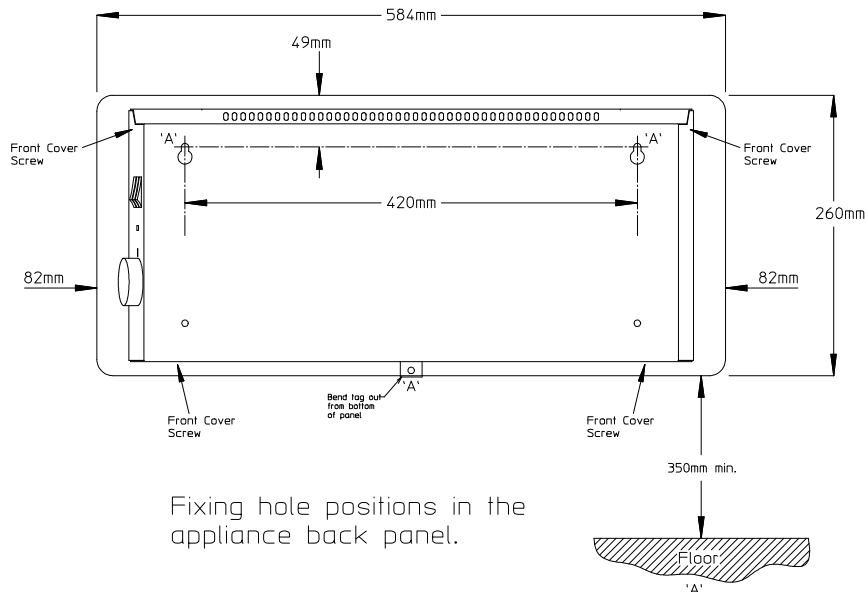
Electrical installation should be carried out by a competent installer, preferably registered with NICEIC (National Inspection Council for Electrical Installation Contracting) in accordance with the 16 edition of the IEE Wiring Regulations, (BS.7671: 1992), and any relevant Local Authority Bye-Laws.

This heater is fitted with a 3-core mains supply cable and should be permanently connected to the electricity supply via a double pole switch having 3mm gap on each pole.

A switched Fused Connection unit to BS.1363. Part 4 is a recommended mains supply connection accessory to ensure compliance with safety requirements applicable to a fixed-wiring installation.

## PROCEDURE

1. Remove the front cover (2 screws on the side and 2 screws on the bottom).
2. Mark top 2 screw fixing positions 'A' in accordance with the dimension shown on the diagram. The unit must be screwed to the wall with 3 screws through the holes provided in the case. Drill 2 holes in the wall to suit No 10 wood screws (round Head) and insert wall plugs. At the top 2 screw positions 'A' screws can now be screwed in until the heads are approximately 5mm from the wall. The unit can now be hung on these two screws and the position of the third bottom fixing marked on the wall. Remove the unit from the wall and drill a third fixing hole in the position marked and insert a wall plug. The unit can now be hung on the wall and the third screw screwed in. Before tightening all three screws ensure the unit is horizontal.
3. Refit front cover. Ensure grille bars internal/external are spaced equally.



## CONTROLS FOR ALL MODELS

The heater is fitted with 3 switches: fan symbol: fan only (cold blow and energises other switches), one dot: 1kW, two dots: 2kW and one plus two dots: 3kW.

The neon light indicates mains power is available to the appliance.

The heater is fitted with a thermostat. To set the thermostat to the required temperature rotate the control knob fully clockwise to number 4. When the desired room temperature is reached, rotate the knob slowly anti-clockwise and when the thermostat 'clicks' off, leave the control at this setting. Thereafter, the heater controls the heat output automatically.



## USING THE TIMER, MODEL WMH3T ONLY

The heater must be connected to the mains power supply in order for the timer to operate continuously. i.e. the clock will cease to go round if the power supply to the appliance is interrupted. Set the 'Timer' to the correct time of day by rotating the dial clockwise until the 24-Hour timer clock matches the time of day. The 'datum' is an arrow on the 'Timer' face, also a slot in appliance body, at '3' on a normal 12-hour clock face.

## MANUAL OPERATION

Slide the selector switch, immediately beneath the timer, to the 'Manual/Hand' position. The appliance will now operate via the controls, heat setting and thermostat, as described under 'CONTROLS FOR ALL MODELS'.

**NB:** If the timer selector switch is slid to its central position at 'O', the appliance will not operate via either the 'Manual' or 'Timer' controls. There will be no output from the appliance. The selector switch must be set to either 'Manual' or 'Timer'.

## AUTOMATIC OPERATION

**NB:** The appliance heat setting switches and thermostat position must be set *before* any 'Timer' operation ie if the appliance is not switched 'On' there will be no output regardless of 'Timer' settings.

1. Slide the selector switch, immediately beneath the timer, to the 'Auto/Clock' position.
2. Each segment of the timer represents 15 minutes. The 24-hour timer can be set to give any combination of On/Off intervals of 15 minutes. Select the 'On' time required by pressing the black segments (on the circumference of the timer) adjacent to the time required, radially outwards away from the centre of the dial. This will cause the heater to switch 'On' at the selected time for 15 minutes. Each additional segment pressed outwards will give a further 15 minutes of operation. In this way you may select the length of time required for the appliance to be 'On' and push outwards the number of 15 minute segments necessary to select the time period required.
3. The timer can be set to give as many 'On' periods as required during any 24-hour period.
4. The set program will repeat itself every 24 hours until changed.
5. This set program may be over-ridden at any time by switching to 'Manual' operation.