

VAR1 Regulator for Infra Red Heater control



Features

- ❖ Suitable for up to 3KW infra red heater at 240V supply.
- ❖ Integral ON/OFF switch.
- ❖ High reliability snubberless triac used.
- ❖ Integral RFI Filter for CE EMC requirement.
- ❖ Low cost & compact.

VAR1 manual control phase angle energy regulator is a compact, low cost unit for controlling the power from 0% to 100% into a 240V infra red heater. To reduce stress and increase reliability it uses a most advanced 25A, high surge rating triac.

Notes.

This product is offered for use to professional installers and the product is to be installed by suitably qualified personnel in accordance with current industrial electrical/mechanical safety and EMC standards.

Installation to be in accordance with the current edition of IEE wiring regulations BS7671: 2001, 16th edition.

- This product is deemed a component only for professional assemblers for incorporation in to apparatus and systems or installations for which its own EMC and safety standards will apply and for which HeatLight Technology is not responsible.
- Conforms to EN55011 Class A and EN55022 Class A.
- For further information see the Product Manual.

Specification

Supply voltage	200 to 264Vac, 50 or 60Hz
Max current rating	13A @30°C ambient, 17A @25°C ambient The VAR1 must be mounted proud of a wall and not recessed in to a cavity.
Max triac rms current	24A
Peak surge current	240A
Min holding load current	30mA
Repetitive peak voltage	600V
Max. I ² t for fusing	112A ² S
Isolation voltage	2500V _{rm}
Storage temperature	-10°C to 80°C
Weight	0.55Kg
Dimension	metal double gang box size, Box size: H= 86mm, W = 146mm, D = 47mm. Overall depth with control knob: 68mm

Installation

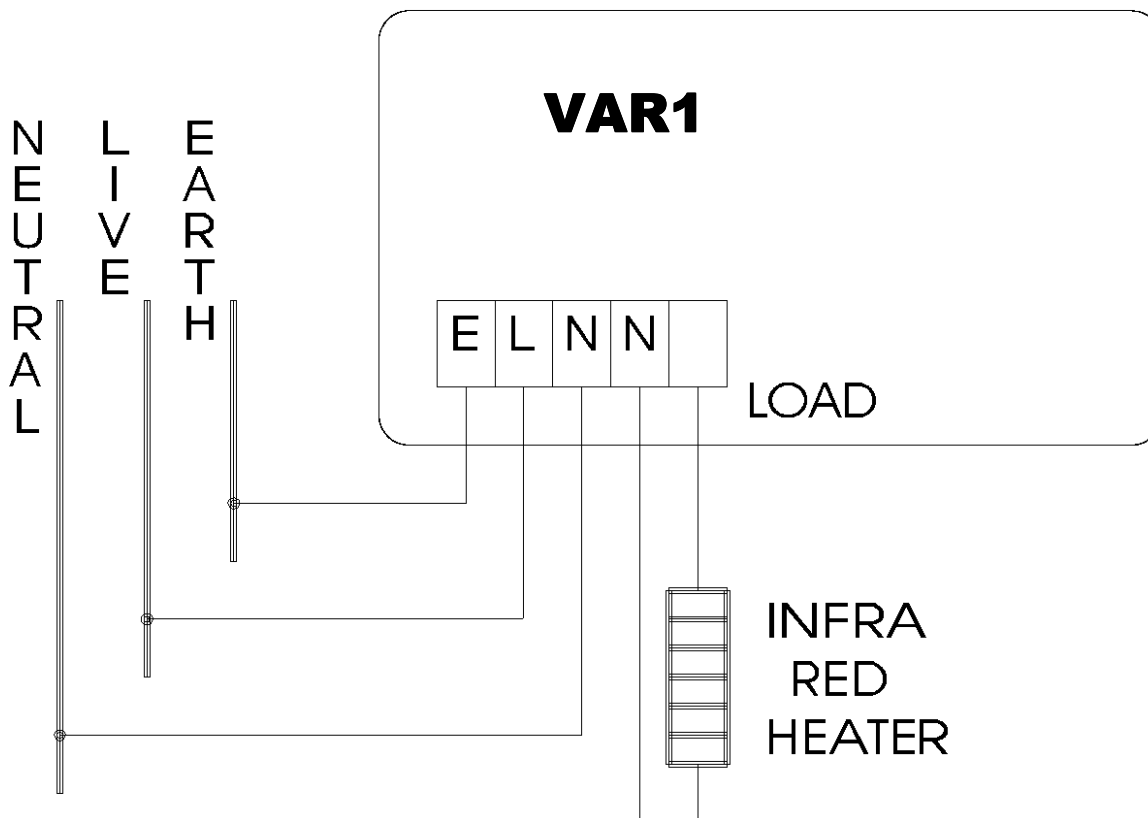
The VAR1 should be connected according to the wiring diagram as shown in fig. 1. The size of cables to L, N, E and the load must be sufficient to withstand the maximum current rating of the infra red heater and meet the IEE WIRING REGULATIONS.

The VAR1 must be mounted proud of a wall and not recessed in to a cavity. If a VAR1 is mounted in to a cavity, it should not be used with a load greater than 2KW.

Protection Fuse

It is recommended to use a suitable fuse or circuit breaker (MCB type C or 3) to protect a VAR1 and the supply from overloading. The fuse level depends on the load current rating. The maximum fuse value for a VAR1 is 20A.

Wiring diagram



Safety

The VAR1 and infra red heater **MUST** be earthed.

Further information

Consort Equipment Products Ltd
Thornton Industrial Estate
Milford Haven
Pembrokeshire SA73 2RT
Tel: 01646 692172 Fax: 01646 695195
Email: enquiries@consortepl.com
Web: www.consortepl.com