



LOGIC+ COMBI.

C24 C30 C35

HIGH EFFICIENCY COMBINATION BOILERS



KEY FEATURES

- Easy to see pressure gauge
- Large backlit display with user friendly controls
- Low lift weight (starting from 29.2kg)
- Low component count maximising reliability

RELIABLE

- Award winning range
- Energy Saving Trust endorsed
- 7 year parts and labour warranty*
- Built-in frost protection**
- Fully modulating operation to low outputs
- Automatic bypass
- Built-in filling loop
- Pre-heat function
- Service indication
- Latest generation Honeywell gas valve
- Simple diverter valve design with no dynamic seals

EASY TO INSTALL

- Compact cupboard fit
- Wide range of additional flueing options
- Preformed copper tails and pre-wired mains lead
- PRV wall outlet pipe included
- Universal condensate connection
- Compatible with a range of additional controls inc. weather compensation and OpenTherm controls
- LPG conversion kit available for 30 kW boilers



* 7 year warranty available until 31.12.2016. Subject to terms and conditions. 7 year parts and labour warranty available when registered within 30 days of installation.

** Permanent live connection required.



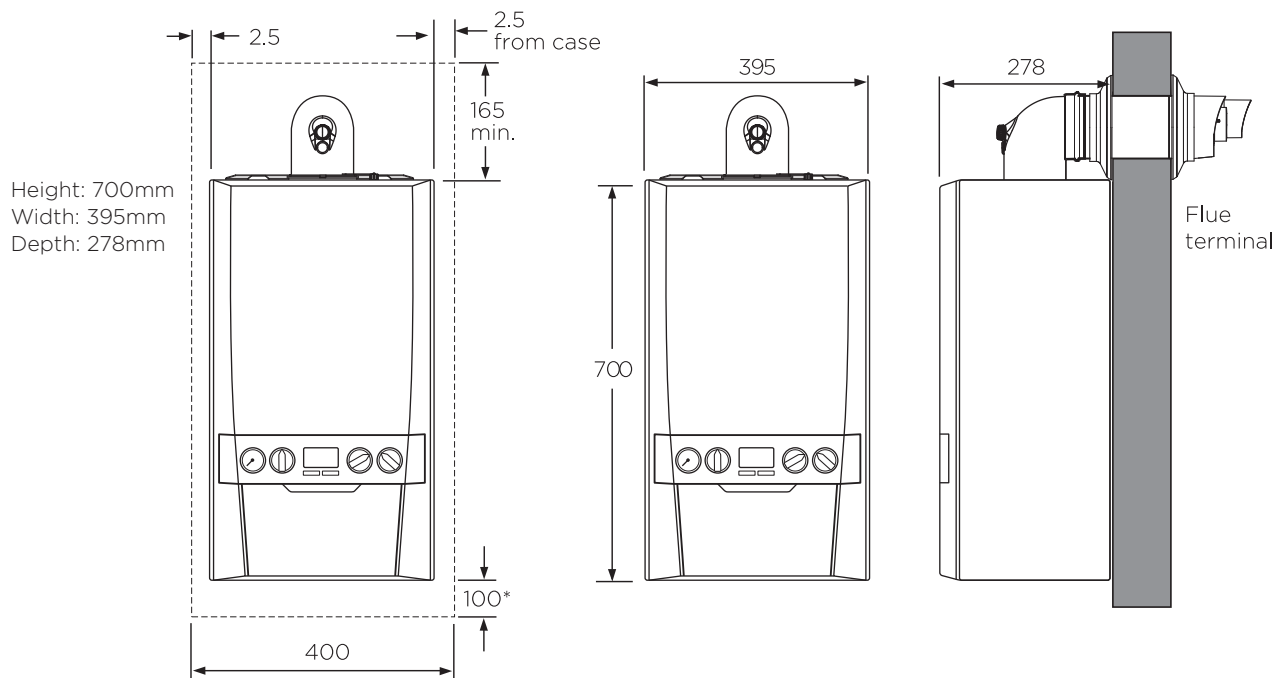
Ideal Boilers
PO Box 103, National Avenue
Kingston upon Hull
East Yorkshire, HU5 4JN

T: 01482 492251
ideal@idealboilers.com

WWW.IDEALBOILERS.COM

CLEARANCES & DIMENSIONS.

DIMENSIONS IN MM



Note: The minimum front clearance when built in to a cupboard is 5mm from the cupboard door but 450mm overall clearance with the cupboard door open is required for servicing. *Bottom clearance after installation can be reduced to 5mm. However, 100mm is required for servicing.

TECHNICAL SPECIFICATIONS.

BOILER MODEL	C24	C30	C35
Weight (packaged) kg	34.0	34.1	34.2
Max installation weight kg	29.2	29.3	29.4
CH output (kW) min/max mean 70°C	4.8 - 24.2	6.1 - 24.2	7.1 - 24.2
CH output (kW) min/max mean 40°C	5.1 - 25.6	6.4 - 25.6	7.5 - 25.6
DHW output (kW) max	24.2	30.3	35.3
DHW flow rate l/min. 35°C rise	9.9	12.4	14.5
SEDBUK rating (2005) %	91.1	91.1	91.1
SEDBUK rating (2009/2012) %	89.6	89.6	89.6
NOx classification	CLASS 5	CLASS 5	CLASS 5
Convert to LPG	No	Yes	No
Max horizontal flue*	9m	8m	6m
Max vertical flue*	7.5m	7.5m	7.5m
Powered vertical flue†	22m	22m	22m
Condensing boiler	Yes	Yes	Yes
Seasonal space heating efficiency class	A	A	A
Rated heat output kW	24	24	24
Seasonal space heating energy efficiency η_s %	94	94	94
Sound power level, indoors L _{WA} dB	48	46	44
Water heating energy efficiency class	A	A	A

Multiple flue kits available.

* Each 90° elbow used is at the expense of 1000mm of straight flue run, and each 45° elbow is used at the expense of 600mm of straight flue run.
† Typical combined primary and secondary length. See installation instructions for more details. Note: The Flue Deflector Kit is used at the expense of 1000mm of straight flue run.