

LOGIC+ HEAT

H12 H15 H18 H24 H30.

Incorporating the latest in heating design and technology, the Logic+ Heat is an outstanding heat only solution for both new build or replacement installations alike.

Available in a choice of five outputs - 12, 15, 18, 24 and 30 kW, the Logic+ Heat will deliver total home comfort for a wide range of domestic properties.

Suitable for open vent and sealed systems, the Logic+ Heat boiler is straightforward to site and install. No compartment ventilation, compact fit and a lightweight design mean the boiler can be neatly installed out of sight in a kitchen cupboard.*

Installers have the further choice of neat direct rear flue options as required, helping to further speed up the installation in retro fit situations.

KEY FEATURES.

- Large backlit display with user friendly controls
- Low lift weight (22.7kg)**
- Low component count maximising reliability

RELIABLE

- Award winning range
- Energy Saving Trust endorsed
- 7 year parts and labour warranty†
- Boiler frost protection††
- Water flow sensor
- Latest generation Honeywell gas valve

EASY TO INSTALL

- Compact cupboard fit
- Direct 80mm diameter rear flue option
- Wide range of flueing options
- Top system connections
- 75mm deep translucent condensate siphon
- Stand-off kit
- Terminal wall plate kit
- Security bracket kit
- Low minimum head requirement
- LPG conversion kit available for 30 kW boilers
- Fully modulating operation down to 4.8 kW†††
- Weather compensation kit option



7 YEAR WARRANTY†



COMPACT



FROST PROTECTION††



FLUE VARIANTS



LPG CONVERSION††††



NO_x CLASS 5



DIRECT REAR FLUE



DIGITAL DISPLAY



ErP COMPLIANT

LOGIC+ HEAT.

H12 H15 H18 H24 H30

*Please check kitchen cupboard prior to installation. **Weight with front panel removed. †7 year warranty available until 31.12.2016. 5 year warranty as standard. Subject to terms and conditions. Parts and labour warranty available when registered within 30 days of installation. ††Permanent live connection required. †††(30 kW only - 6.1 kW). ††††30 kW model only.



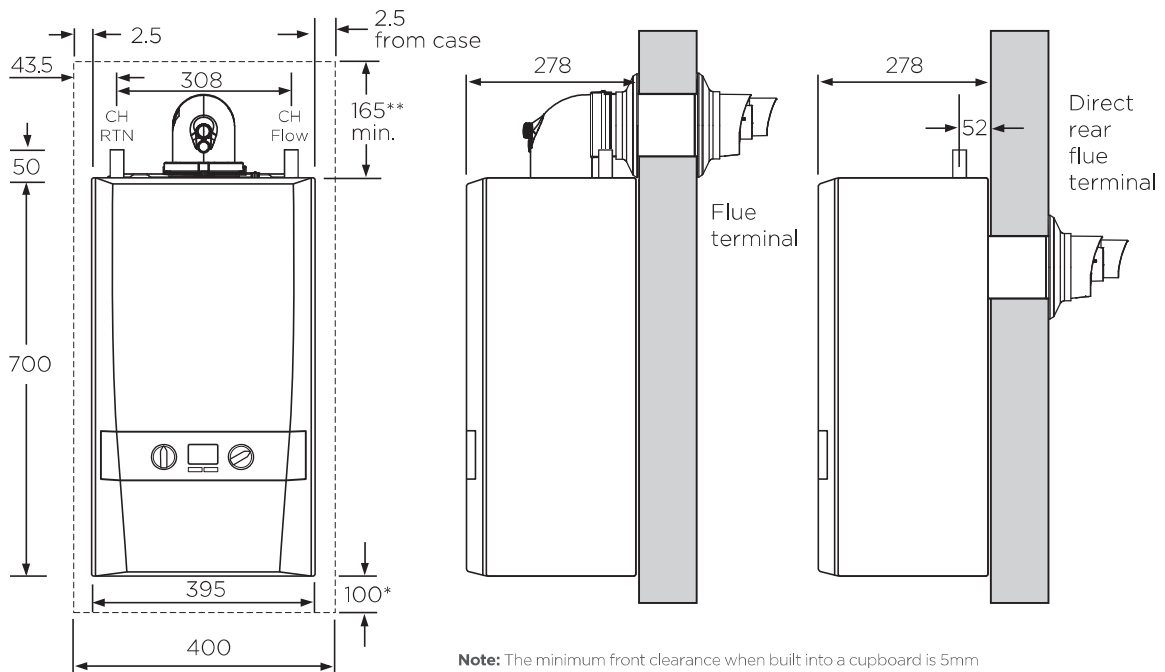
CONTROLS DISPLAY

- CH & DHW temperatures to radiators and out of taps
- Static fault codes
- Last 3 faults
- Venting function
- Change pump speed



CLEARANCES & DIMENSIONS.

ALL DIMENSIONS IN MM



Note: The minimum front clearance when built into a cupboard is 5mm from the cupboard door but 450mm overall clearance with the cupboard door open is required for servicing.

*Bottom clearance after installation can be reduced to 5mm. However, 100mm is required for servicing.
 **Rear flue option - top clearance 100mm.