

LOGIC COMBI.

C24 C30 C35

HIGH EFFICIENCY COMBINATION BOILERS



KEY FEATURES

- Easy to see pressure gauge
- Large backlit display with user friendly controls
- Low lift weight (starting from 28.9kg)
- Low component count maximising reliability

RELIABLE

- Energy Saving Trust endorsed
- 2 year parts and labour warranty
- Boiler frost protection
- Built-in, easy to use filling loop
- Simple diverter valve design
- Two stage flame sensing for greater reliability
- Latest generation Honeywell gas valve
- Fully modulating operation to low outputs
- Automatic bypass

EASY TO INSTALL

- Compact cupboard fit
- Wide range of additional flueing options
- Four optional language user instructions*
- Visually impaired user fascia option
- Preformed copper tails and pre-wired mains lead
- Universal condensate connection
- Compatible with a range of additional controls inc. weather compensation
- LPG conversion kit available for 24 kW & 30 kW boilers

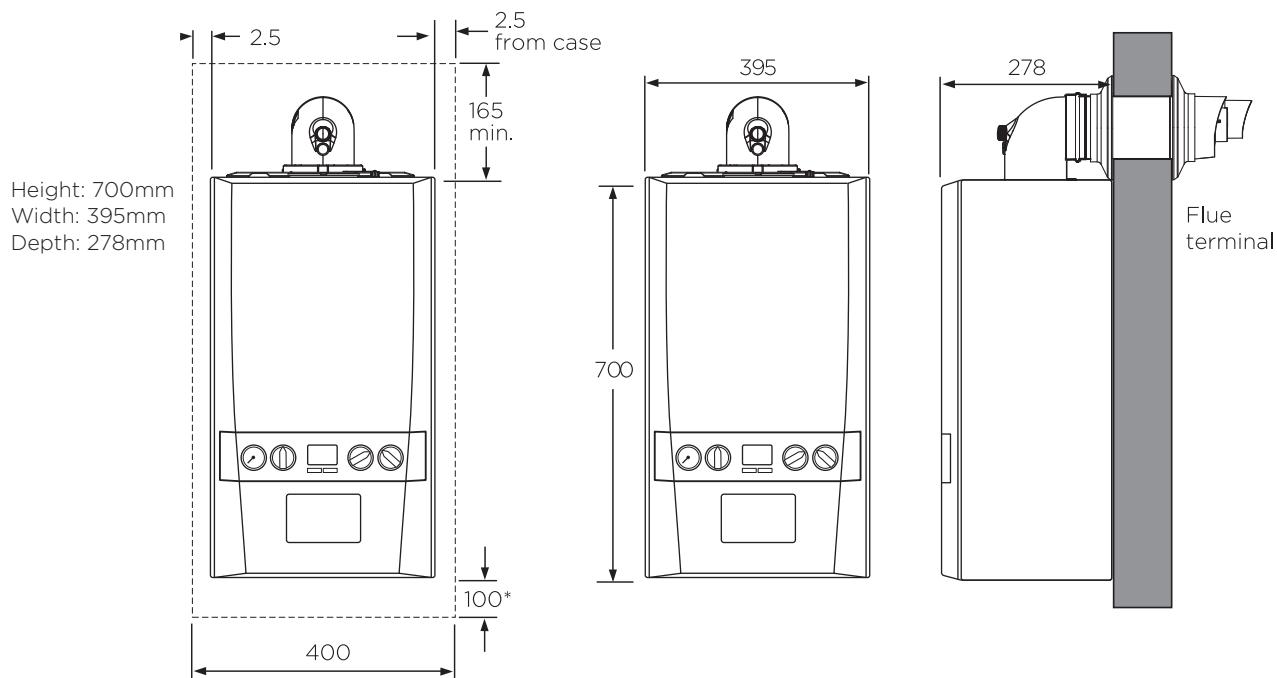


* Available to download from www.idealboilers.com



CLEARANCES & DIMENSIONS.

DIMENSIONS IN MM



Note: The minimum front clearance when built in to a cupboard is 5mm from the cupboard door but 450mm overall clearance with the cupboard door open is required for servicing. *Bottom clearance after installation can be reduced to 5mm. However, 100mm is required for servicing.

TECHNICAL SPECIFICATIONS.

BOILER MODEL	C24	C30	C35
Weight (packaged) kg	33.7	33.8	33.9
Max installation weight kg	28.9	29.0	29.1
CH output (kW) min/max mean 70°C	4.8 - 24.2	6.1 - 24.2	7.1 - 24.2
CH output (kW) min/max mean 40°C	5.1 - 25.6	6.4 - 25.6	7.5 - 25.6
DHW output (kW) max	24.2	30.3	35.3
DHW flow rate l/min. 35°C rise	9.9	12.4	14.5
SEDBUK rating (2005) %	91.1	91.1	91.1
SEDBUK rating (2009/2012) %	89.6	89.6	89.6
NOx classification	CLASS 5	CLASS 5	CLASS 5
Convert to LPG	Yes	Yes	No
Max horizontal flue*	9m	8m	6m
Max vertical flue*	7.5m	7.5m	7.5m
Powered vertical flue†	22m	22m	22m
Condensing boiler	Yes	Yes	Yes
Seasonal space heating efficiency class	A	A	A
Rated heat output kW	24	24	24
Seasonal space heating energy efficiency η_s %	94	94	94
Sound power level, indoors L _{WA} dB	48	46	44
Water heating energy efficiency class	A	A	A

Available Flue Extensions 0.5m, 1m and 2m. Multiple flue kits available.

* Each 90° elbow used is at the expense of 1000mm of straight flue run, and each 45° elbow is used at the expense of 600mm of straight flue run.
† Typical combined primary and secondary length. See installation instructions for more details. Note: The Flue Deflector Kit is used at the expense of 1000mm of straight flue run.