

MYSON LST.

The UK's leading low surface temperature radiator



TRV kits
are now supplied
with 'A' rated
thermostatic radiator
valves for energy
efficiency

heatingthroughinnovation.



MYSON LST.

The UK's leading low surface temperature radiator

For reasons of safety, there are a number of situations where radiators with high surface temperatures cannot be used. In those places, typically where vulnerable people are present, LST radiators are the ideal heating solution.

MYSON LST ensures that the surface temperature of the radiator remains under 43°C, so it is the perfect heating method for hospitals, retirement homes, sheltered housing, nurseries, schools, sports halls and children's rooms.



Feature

Surface temperature remains under 43°C.

Rounded steel enclosure with no sharp edges, finished in high quality white paint (RAL 9016).

Simple, double security screw mechanism on casing.

Manufacturer's ten year warranty.

Comply with NHS Estates Health Guidance Notes 1998.

Comprehensive range of models and sizes available.

LST packed in single, protective cardboard carton, which includes emitter, casing, brackets, plug, installation manual and template.

Theft and vandal resistant ring and collar are available for MYSON TRVs (thermostatic radiator valves).

Manufactured and tested to BS EN 442 plus they carry the BS Kitemark.

Benefit

Minimises risk of burns.

Minimises risk of injury, protects the heat emitter and conceals pipework and valves.

Provides easy access/removal for cleaning, maintenance and decorating.

Gives full cover against defects caused by faulty materials or manufacture.

Approved for use in hospitals.

Offers flexibility for all requirements.

Individually packed to provide a single box solution and ensures unit arrives in good condition.

Provides protection against interference and theft.

Certifies independent approval of heat output and verifies production under a quality system to BS EN ISO 9001:2000

Think you've found a better deal elsewhere?

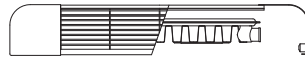
We'll provide a like for like quotation against any of our competitors. Plus, we'll do a spec break!



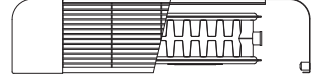
BS EN 442

Heat Outputs

LST Super Depth 107 mm / 4.21 in



LST Super Plus Depth 157 mm / 6.18 in



Nominal Height* 550 mm 22 in

Outer Casing Length (mm - inches)	Heat Outputs @ ΔT 50°C		Heat Outputs @ ΔT 30°C		Order Code	Heat Outputs @ ΔT 50°C		Heat Outputs @ ΔT 30°C		Order Code
	Watts	Btu/h	Watts	Btu/h		Watts	Btu/h	Watts	Btu/h	
800 - 31	277	946	139	475	5 LS 080	545	1861	276	942	5 LSP 080
1000 - 39	370	1261	186	634	5 LS 100	727	2481	368	1256	5 LSP 100
1200 - 47	462	1576	232	792	5 LS 120	909	3102	460	1571	5 LSP 120
1600 - 63	647	2207	325	1109	5 LS 160	1273	4342	644	2199	5 LSP 160
2000 - 79	832	2837	418	1426	5 LS 200	1636	5583	829	2827	5 LSP 200

Nominal Height* 650 mm 25 in

600 - 24	243	830	123	418	6 LS 060	468	1597	238	811	6 LSP 060
800 - 31	365	1245	184	627	6 LS 080	702	2395	357	1217	6 LSP 080
1000 - 39	486	1660	245	836	6 LS 100	936	3194	475	1622	6 LSP 100
1200 - 47	608	2074	306	1045	6 LS 120	1170	3992	594	2028	6 LSP 120
1400 - 55	730	2489	368	1254	6 LS 140	1404	4790	713	2433	6 LSP 140
1600 - 63	851	2904	429	1463	6 LS 160	1638	5589	832	2839	6 LSP 160
1800 - 71	973	3319	490	1672	6 LS 180	1872	6387	951	3244	6 LSP 180
2000 - 79	1094	3734	551	1881	6 LS 200	2106	7186	1070	3650	6 LSP 200

Nominal Height* 850 mm 33 in

600 - 24	353	1205	179	610	8 LS 060	659	2249	337	1150	8 LSP 060
800 - 31	530	1808	268	915	8 LS 080	989	3374	505	1724	8 LSP 080
1000 - 39	706	2410	358	1221	8 LS 100	1318	4498	674	2299	8 LSP 100
1200 - 47	883	3013	447	1526	8 LS 120	1648	5623	842	2874	8 LSP 120
1400 - 55	1060	3615	537	1831	8 LS 140	1978	6748	1011	3449	8 LSP 140
1600 - 63	1236	4218	626	2136	8 LS 160	2307	7872	1179	4023	8 LSP 160
1800 - 71	1413	4820	716	2441	8 LS 180	2637	8997	1348	4598	8 LSP 180
2000 - 79	1589	5423	805	2746	8 LS 200	2966	10121	1516	5173	8 LSP 200

Nominal Height* 950 mm 37 in

600 - 24	405	1383	206	702	9 LS 060	747	2548	383	1306	9 LSP 060
800 - 31	608	2074	309	1053	9 LS 080	1120	3822	574	1959	9 LSP 080
1000 - 39	810	2765	412	1404	9 LS 100	1494	5096	766	2613	9 LSP 100
1200 - 47	1013	3456	514	1755	9 LS 120	1867	6370	957	3266	9 LSP 120
1400 - 55	1216	4148	617	2106	9 LS 140	2240	7644	1149	3919	9 LSP 140
1600 - 63	1418	4839	720	2457	9 LS 160	2614	8918	1340	4572	9 LSP 160
1800 - 71	1621	5530	823	2808	9 LS 180	2987	10192	1531	5225	9 LSP 180

*Please ensure you add an extra 22mm to the height of the radiator to account for the curvature of the top grille.

N.B. The tabulated heat outputs are quoted at a mean water to air temperature difference of 50°C and 30°C. The standard heat outputs are based on length of the internal heat emitter, not the outer casing.

Connections

All MYSON LST radiators are fitted with 4 - 1/2 inch BSP connections.

Operating Pressures

Every MYSON LST radiator is tested to a pressure of 10.5 bar (152.5 psi) and is suitable for a working pressure of up to 8.0 bar (117.1 psi).

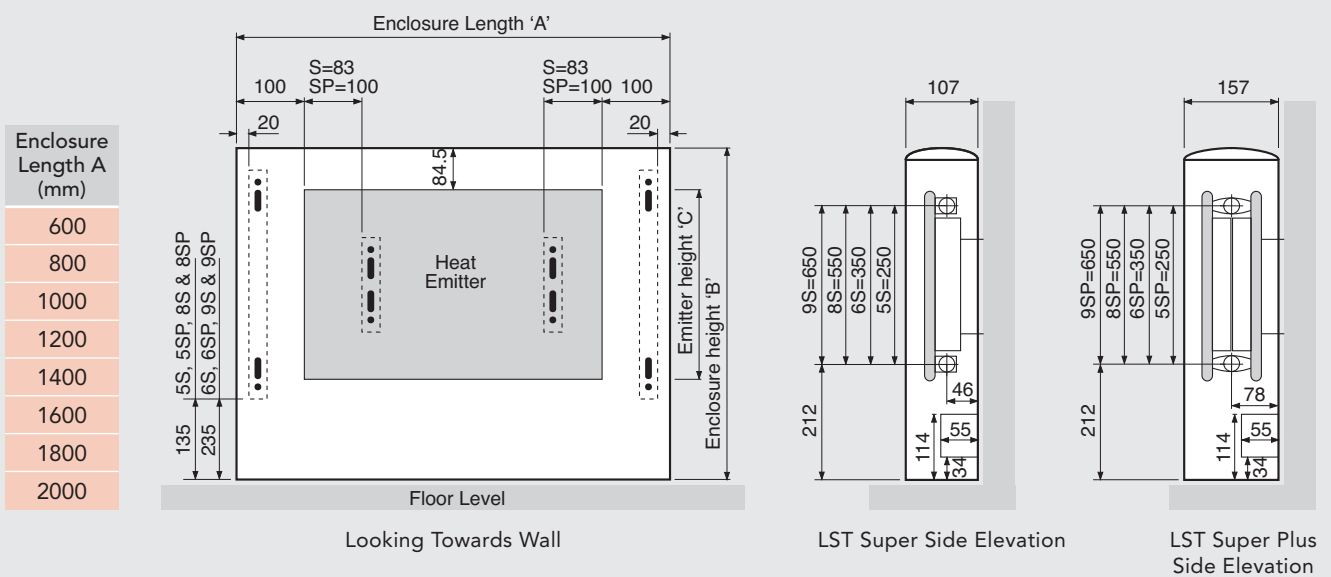
Weight and Water Content per Radiator (LST Super)

Length (mm)	Height (mm)							
	550		650		850		950	
	Weight (kg)	Water Content (l)	Weight (kg)	Water Content (l)	Weight (kg)	Water Content (l)	Weight (kg)	Water Content (l)
600			11.02	1.20	15.32	1.80	17.22	2.04
800	12.10	1.28	14.90	1.60	20.90	2.40	23.53	2.72
1000	15.22	1.60	18.80	2.00	26.50	3.00	29.88	3.40
1200	18.45	1.92	22.69	2.40	32.09	3.60	36.21	4.08
1400			26.62	2.80	37.73	4.20	42.57	4.76
1600	24.80	2.56	30.56	3.20	43.37	4.80	48.94	5.44
1800			34.53	3.60	49.04	5.40	55.34	6.12
2000	31.07	3.20	38.40	4.00	54.62	6.00		

Weight and Water Content per Radiator (LST Super Plus)

Length (mm)	Height (mm)							
	550		650		850		950	
	Weight (kg)	Water Content (l)	Weight (kg)	Water Content (l)	Weight (kg)	Water Content (l)	Weight (kg)	Water Content (l)
600			16.28	2.46	23.04	3.54	26.07	4.14
800	17.92	2.56	22.36	3.28	31.88	4.72	36.18	5.52
1000	22.70	3.20	28.44	4.10	40.72	5.90	46.32	6.90
1200	27.50	3.84	34.52	4.92	49.59	7.08	56.45	8.28
1400			40.61	5.74	58.44	8.26	66.57	9.66
1600	37.12	5.12	46.74	6.56	67.33	9.44	76.73	11.04
1800			52.88	7.38	76.24	10.62	86.91	12.42
2000	46.74	6.40	58.94	8.20	85.06	11.80		

Bracket Positions and Dimensions



Enclosure Height* B (mm)	572	672	872	972
Emitter Height C (mm)	300	400	600	700

*This measurement includes an extra 22mm to account for the curvature of the top grille.

Important: It is advisable to leave a further 5mm clearance above any final floor covering to allow for easy fitting and removal.

LST Thermostatic Radiator Valve Kits (TRV)

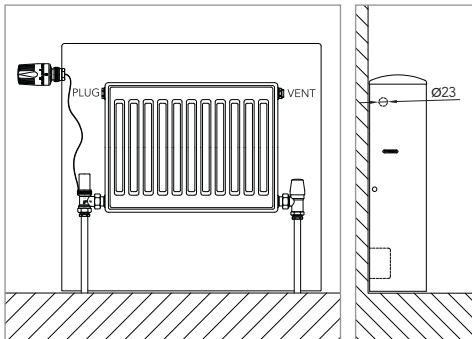
TRVs allow the temperature of each room to be automatically and precisely controlled. Each valve has an adjustable temperature setting enabling pre-selection of the chosen temperature for that room. When thermostatic control is required, **MYSON** offers a comprehensive range of TRVs to suit all applications.



TRV kits are now supplied with 'A' rated thermostatic radiator valves for energy efficiency

Valve Type	Order Code	Connection Options
Close Coupled TRV Kit*	CCKTC	TBOE or BOE
Direct Fit TRV Kit*	DIRECTFIT	TBOE
Remote Sensor*	2TRVRSHEAD5 (5 metre) 2TRVRSHEAD2 (2 metre)	BOE
Remote Adjuster	2TRVADJHEAD5 (5 metre) 2TRVADJHEAD2 (2 metre)	TBOE or BOE

*Supplied with 'A' rated thermostatic radiator valves.



Close Coupled Kit

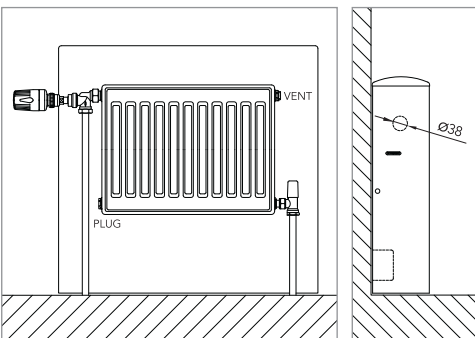
Close Coupled TRV Kit

Suitable for TBOE or BOE connections.

This arrangement offers a choice of positions for both the valve body and sensor head.

The kit allows the thermal sensing head of a **MYSON** Thermostatic Radiator Valve to be mounted directly on the top left/right hand side of the **LST** enclosure. The point of fitting has been half-sheared and requires only to be knocked out to facilitate easy installation, becoming an integral part of the appliance.

The valve body is fitted to the heat emitter and is coupled to the sensing head by a flexible capillary extension lead.



Direct Fit Kit

Direct Fit TRV Kit

Suitable for TBOE connection only.

This kit allows a **MYSON** TRV body to be directly fitted to the radiator, with the thermostatic head projecting beyond the enclosure.

Remote Sensor

This allows the TRV head to be fitted inside the **LST** casing. The TRV valve body must be fitted on bottom opposite end of the radiator. It is NOT suitable for top end connection. The sensor may be positioned up to 5 metres from the casing.

Remote Adjuster

Suitable for TBOE or BOE connections.

The TRV head/sensor is mounted directly onto a wall plate and may be fitted up to 5 metres from the emitter.



MYSON

MYSON Eastern Avenue, Team Valley, Gateshead, Tyne & Wear NE11 0PG, UK
T: 0845 402 3434, F: 0191 491 7568, sales@myson.co.uk, www.myson.co.uk
