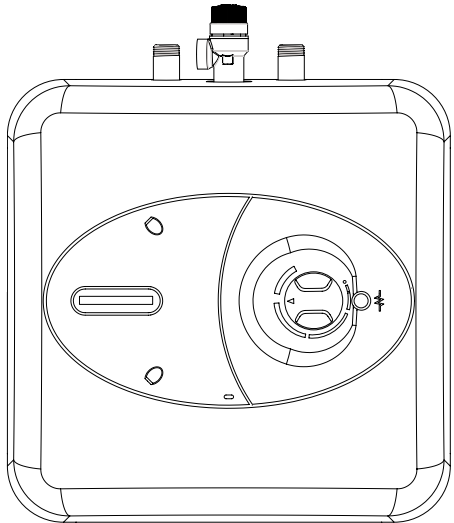
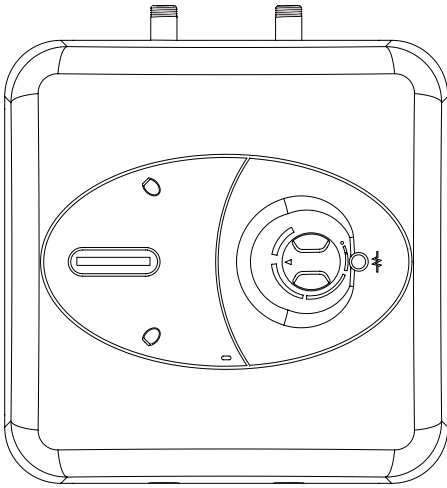


# **REDRING<sup>®</sup>**

## **MW & EW 10 & 15 Litre Unvented Water Heaters**

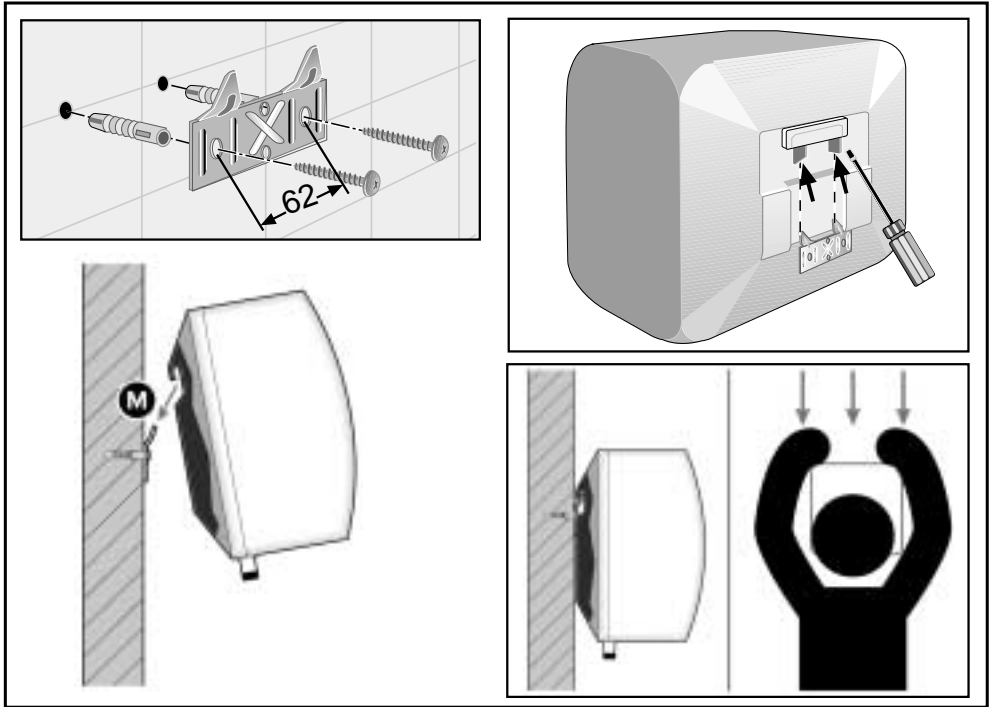
### **HANDBOOK**



**IMPORTANT:**

**This booklet should be given to the customer after installation and demonstration.**





**Pursuant to Art. 26 of Italian Legislative Decree 14 march 2014, n. 49 "Enactment of Directive 2012/19/EU governing electrical and electronic waste (WEEE)"**

The barred bin symbol on the appliance and its packaging indicates that the product must be scrapped separately from other waste at the end of its service life. The user must therefore hand the equipment over to a sorted waste disposal facility for electro-technical and electronic equipment at the end of its service life.

Alternatively, he may return the equipment to the retailer at the time of purchase of a new equivalent type of appliance. Electronic equipment of size less than 25 cm can be handed over to any electronics equipment retailer whose sales area is at least 400 m<sup>2</sup> for disposal free of charge and without any obligation to purchase new product.

Sorted waste collection for recycling, treatment and environmentally compatible scrapping contributes to the prevention of damage to the environment and promotes reuse/recycling.

# GENERAL SAFETY INSTRUCTIONS




## CAUTION!

- 1. This manual is an integral part of the product. Keep it with care with the appliance, and hand it on to the next user/owner in case of change of property.**
- 2. Read the instructions and warning in this manual carefully, they contain important information regarding safe installation, use and maintenance.**
3. The appliance must be installed and commissioned by a qualified technician in accordance with local legislation and health and safety regulations. All power circuits must be shut off before you open the terminal block.
4. DO NOT use the appliance for any other than its specified use. The manufacturer is not liable for damage resulting from improper or incorrect use or failure to observe the instructions given in this manual.
5. Incorrect installation can result in damage to property and injury to persons and animals; the manufacturer is not liable for the consequences.
6. DO NOT leave the packaging materials (staples, plastic bags, expanded polystyrene, etc.) within the reach of children - they can cause serious injury.
7. The appliance may not be used by persons under 8 years of age, with reduced physical, sensory or mental capacity, or lacking the requisite experience and familiarity, unless under supervision or following instruction in the safe use of the appliance and the hazards attendant on such use. DO NOT permit children to play with the appliance. User cleaning and maintenance may not be done by unsupervised children.
8. DO NOT touch the appliance when barefoot or if any part of your body is wet.
9. Any repairs, maintenance, plumbing and electrical hookup must be done by qualified technicians using original spare parts only. Failure to observe the above instructions can compromise the safety of the appliance and relieves the manufacturer of any liability for the consequences.
10. The hot water temperature is regulated by a thermostat which also acts as a re-armable safety device to prevent dangerous overheating.
11. The electrical hookup must be done as indicated in this manual.
12. If the appliance is equipped with a power cord, the latter may only be replaced by an authorised service centre or professional
















technician.

13. Do not tamper with the overpressure safety device, if supplied together with the appliance; trip it from time to time to ensure that it is not jammed and to remove any scale deposits. In countries which have enacted EN 1487, the appliance's intake pipe must be equipped with a safety device compliant with the said standard, calibrated to a maximum pressure of 0.7 MPa, including at least a cock, check valve, safety valve and hydraulic load cutout.
14. It is normal that water drip from the overpressure safety device and EN 1487 safety unit when the appliance is heating. For this reason one must install a drain, open to the air, with a continuously downwards sloping pipe, in an area not subject to subzero temperatures. Make sure to drain the appliance when it is out of service or in an area subject to subzero temperatures.
15. Make sure to drain the appliance when it is out of service or in an area subject to subzero temperatures.
16. Water heated to over 50° C can cause immediate serious burns if delivered directly to the taps. Children, disabled persons and the aged are particularly at risk. We recommend installing a thermostatic mixer valve on the water delivery line, marked with a red collar.
17. Do not leave flammable materials in contact with or in the vicinity of the appliance.

**Symbols:**

Symbol	Meaning
	Failure to observe this warning can result in injury, which may even be fatal in certain circumstances
	Failure to observe this warning can result in damage or injury, even serious in certain circumstances, to property, plants and animals
	Observe the product's general and specific safety instructions.

**GENERAL SAFETY STANDARDS**

Ref.	Warning	Risk	Symbol
1	Do not open the appliance or remove from its installation	Electrocution hazard due to the presence of live electrical equipment Personal injury - burns caused by overheated components and wounds caused by sharp edges	
2	Do not start or stop the appliance by inserting/pulling the power plug	Electrocution hazard due to damage to the power cord, its plug or the socket	
3	Do not damage the power cord	Electrocution hazard due to bare live wires	
4	Do not leave objects on the appliance	Personal injury due to objects falling off the appliance as a result of vibration	
		Damage to the appliance or other property due to objects falling off the appliance as a result of vibration	
5	Do not climb onto the appliance	Personal injury due to falling off the appliance	
		Damage to the appliance or other property due to the appliance itself detaching from its mounting	
6	Do not clean the appliance without having first switched it off, pulled its power plug or shut off its power switch	Electrocution hazard due to the presence of live electrical equipment	
7	Install the appliance to a solid wall which is not subject to vibration	Danger of the appliance falling off the wall due to structural collapse, or noisy operation	
8	Make the electrical hookup with cables of adequate cross-section	Danger of fire due to overheating of undersized electrical wires	
9	Restore all safety and control functions after working on the appliance and check that they are operational before returning it to service	Damage or blocking of the appliance due to improper control	
10	Drain all components containing hot water, using the bleed cocks, before handling them	Danger of burns	
11	Descale the system as given in the product's "safety sheet"; when doing so, ventilate the room, wear safety clothing, make sure not to mix products, and protect the appliance itself and any adjacent objects	Personal injury due to contact of the skin and eyes with acid, inhalation or ingestion of noxious chemicals	
		Damage to the appliance and adjacent objects due to corrosion by acid	
12	Do not use insecticides, solvents or aggressive detergents to clean the appliance	Damage to plastic and painted parts and assemblies	

# Anti-legionella recommendations (European standard CEN/TR 16355)

## Information

Legionella is a small bacterium, of stick-like form, and is found naturally in fresh water.

Legionnaire's disease is a serious pulmonary infection caused by inhalation of the *Legionella pneumophila* bacterium and other species of *Legionella*. The bacterium is frequently to be found in the plumbing of houses, hotels and water used in A/C and air cooling systems. The most effective measure against infection is to prevent the bacterium proliferating in water circuits.

European standard CEN/TR 16355 provides guidelines for preventing the proliferation of Legionella in drinking water systems, without substituting applicable local legislation.

## General recommendations

"Conditions favourable to the proliferation of Legionella". The following conditions are favourable to the proliferation of Legionella:

- Water temperature in the range 25 - 50 °C. To reduce the proliferation of Legionella, the water temperature be kept with these limits to prevent them growing or reduce their growth to a minimum. If this is not possible, the drinking water system must be sanitised thermally;
- Stagnant water. To prevent water stagnating for a long time, the drinking water system must be flushed or made to run abundantly at least once a week;
- Nutrients, biofilms and sediment in the circuit, including boilers, etc. Sediment may promote the proliferation of Legionella and should be regularly eliminated from water storage devices, boilers and expansion/holding tanks (for instance, once a year).

As regards storage heater like the present, if:

- 1) the appliance is switched off for several months at a time or
- 2) the water temperature is kept constant in the range 25 - 50 °C,

the Legionella bacterium may grow inside the tank. If such circumstances, to reduce the proliferation of the bacterium, one must run a thermal sanitisation cycle.

This cycle is suited to use in domestic hot water systems and complies with the guidelines for the prevention of Legionella given in Table 2 of standard CEN/TR 16355 (see below).

**Table 2 - Types of hot water system**

	Separate hot and cold water				Mixed hot and cold water					
	No storage		Storage		No storage upline of the mixer valves		Storage upline of the mixer valves		No storage upline of the mixer valves	
	No circulation of hot water	Circulation of hot water	No circulation of mixed water	Circulation of mixed water	No circulation of mixed water	Circulation of mixed water	No circulation of mixed water	Circulation of mixed water	No circulation of mixed water	Circulation of mixed water
Ref. in Enclosure C	C.1	C.2	C.3	C.4	C.5	C.6	C.7	C.8	C.9	C.10
Temperature	-	≥ 50 °C <sup>e</sup>	in storage heater <sup>a</sup>	≥ 50 °C <sup>e</sup>	thermal disinfection <sup>d</sup>	thermal disinfection <sup>d</sup>	in storage heater <sup>a</sup>	≥ 50 °C <sup>e</sup> thermal disinfection <sup>d</sup>	thermal disinfection <sup>d</sup>	thermal disinfection <sup>d</sup>
Stagnation	-	≤ 3 l <sup>b</sup>	-	≤ 3 l <sup>b</sup>	-	≤ 3 l <sup>b</sup>	-	≤ 3 l <sup>b</sup>	-	≤ 3 l <sup>b</sup>
Sediment	-	-	remove <sup>c</sup>	remove <sup>c</sup>	-	-	remove <sup>c</sup>	remove <sup>c</sup>	-	-

**a** Temperature ≥ 55 °C all day or at least 1h a day ≥ 60 °C.  
**b** Volume of water contained in the pipes between the circulation system and the most distant tap.  
**c** Remove the sediment from the storage heater as required by local conditions, but no less frequently than once a year.  
**d** Thermal disinfection for 20 minutes at 60 °C, for 10 minutes at 65 °C or 5 minutes at 70 °C at all delivery points at least once a week.  
**e** The water temperature in the circulation circuit may not fall below 50 °C.  
 - Not required

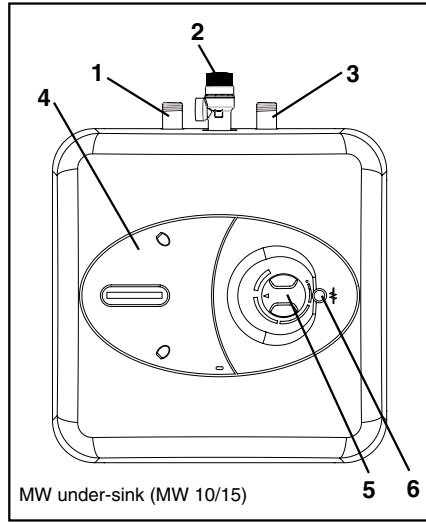
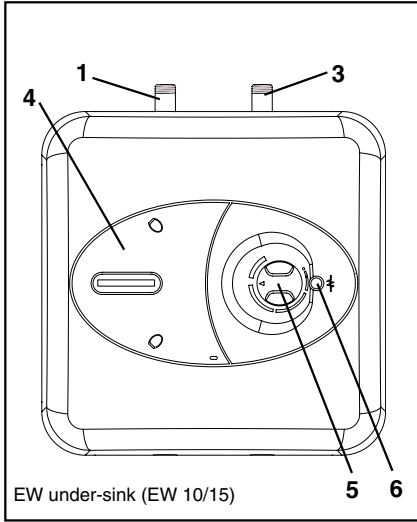
This storage water heater is sold with a thermal disinfection cycle function not enabled for default; as a consequence, if, for any reason, one of the above said "Conditions for Legionella growth" could occur; it's hardly recommended to enable such function rotating the knob up to maximum water temperature (>60°C).

However, the thermal disinfection cycle does not kill all Legionella bacteria in the storage tank. It follows that if the water temperature setting is less than 55°C, the Legionella bacterium infection may reoccur.

**Caution:** the water temperature in the tank can cause immediate serious burns. Children, disabled persons and the aged are particularly at risk of burns. Check the water temperature before taking a bath or shower.

# Description of water heater

- 1) Hot water outlet
- 2) Temperature and pressure relief valve (MW only)
- 3) Cold water inlet
- 4) Control cover
- 5) Regulation knob
- 6) Heating neon



## TECHNICAL SPECIFICATIONS

For the technical specifications, refer to the nameplate (the nameplate is located next to the water intake/outlet pipes).

Product information				
Product range	10		15	
Weight (kg)	6,6		7,4	
Installation	(MW) Undersink	(EW) Undersink	(MW) Undersink	(EW) Undersink
Model	Refer to the nameplate			
Qelec (kWh)	2,706	2,691	2,697	2,675
Load profile	XXS			
L <sub>wa</sub>	15 dB			
$\eta_{wh}$	32,7%	32,9%	32,8%	33,0%
Capacity (L)	10		15	



The power consumption data in the table and the other information given in the Product Data Sheet (Enclosure A to this manual) are defined in relation to EU Directives 812/2013 and 814/2013.

Products equipped with regulator knobs have the thermostat positioned in the setting condition at its set <ready to use> position shown in the Data Sheet (Enclosure A), used by the manufacturer to declare the appliance's energy class.

**This appliance is conforming with the international electrical safety standards IEC 60335-1 and IEC 60335-2-21.**

**The CE marking of the appliances attests its conformity to the following EC Directives, of which it satisfies the essential requisites:**

- **LVD Low Voltage Directive: EN 60335-1, EN 60335-2-21, EN 60529, EN 62233, EN 50106.**
- **EMC Electro-Magnetic Compatibility: EN 55014-1, EN 55014-2, EN 61000-3-2, EN 61000-3-3.**
- **RoHS2 Risk of Hazardous Substances: EN 50581.**
- **ErP Energy related Products: EN 50440.**

## **User Instructions**

**PLEASE KEEP THIS BOOKLET FOR FUTURE REFERENCE**

The heater is insulated to a high standard therefore it may be left on all the time. The temperature of the water may be adjusted by turning the knob on the front of the heater, allow half an hour for the temperature to stabilise between settings. The maximum temperature setting is achieved with the knob turned fully clockwise to the MAX position this will give a water temperature of approximately 65-68°C. In hard water areas we recommend a maximum of 60°C which corresponds to a knob position of approx. 11.00 o'clock. The minimum setting offers frost protection. The neon light shows when the heating element is working, under control of the thermostat. If in doubt ring Applied Energy Products Service Dept. on 0844 372 7766. This appliance is not intended for use by persons (including children) with reduced physical, sensory or mental capabilities, or lack of experience and knowledge, unless they have been given supervision or instruction concerning use of the appliance by a person responsible for their safety. Children should be supervised to ensure that they do not play with the appliance.

## **Water Regulations**

These regulations ensure a good supply of wholesome water, and that only approved materials, pipes and fittings are used to convey water.

## Delivery

There are two options available, the MW range and the EW range.

The MW is supplied with the following:

MW unvented water heater (with factory-fitted T + P valve)	x1
Wall bracket	x1
Tundish	x1
Dielectric junction	x2

The EW is supplied with the following:

EW unvented water heater	x1
Wall bracket	x1
Pressure relief valve set at 6 bar	x1
Dielectric junction	x2

## How the heater works

The heating element is controlled by a capillary thermostat . The operating temperature can be adjusted by the regulation knob on the front of the heater. In addition to the thermostat there is a thermal cut-out which is set to switch off the power to the element if the thermostat fails and the water temperature rises too high. Once the cut-out operates it can only be reset manually (this should be carried out by the installer - see maintenance).

A magnesium anode is provided to prevent corrosion of the water container. The MW has a temperature and pressure relief valve on top of the heater which is a safety device to back-up the thermostat and thermal cut-out. It works by sensing an excess water temperature or pressure and releasing the hot water to the discharge tundish and drain.

The heater will only work in the vertical position as the element is shaped to heat the water at the bottom of the tank. The inlet pipe needs to deliver cold water to the bottom of the tank and the hot water outlet draws water from the top of the tank.

When water is heated it expands. In a small unvented water heater of this type the expansion can normally be accommodated back into the cold water mains, as indicated in the Water Regulations.

Where this is not possible the installer will need to fit a set of cold water controls.

# Installation Instructions

**Before installing the heater read these instructions in full. If you are unsure please contact our technical department 0844 372 7766.**

**The installation must comply with all relevant Water and Building Regulations.**

**The installer should check with the local water authority for confirmation of the maximum water supply pressure.**

## **a) Siting & fixing**

**WARNING: When unpacking MW models take care not to damage the temperature and pressure relief valve on the top of the heater.**

A drain has to be provided for any water discharged through the safety valves.

Access to the heater is not normally needed on a day-to-day basis.

A cold water supply pressure between 1 and 5.5 bar is required (if the mains pressure is above 5.5 bar a pressure reducing valve will need to be installed).

**Please note that turning down the stop-cock will reduce flow not pressure.**

The outlet pressure from the reducing valve (if supplied) is 3.5 bar.

A 240 VAC; 3 kW single phase electrical supply is required.

Position the heater against the wall and mark the position of the hooked wall bracket. Fasten the wall bracket to wall using suitable screws and wall plugs (allowing for the extra weight of water when the unit is full). Hang the heater on the bracket making sure that the heater is pulled well down on to the bracket, if necessary by forcing the hooks into the foam insulation.

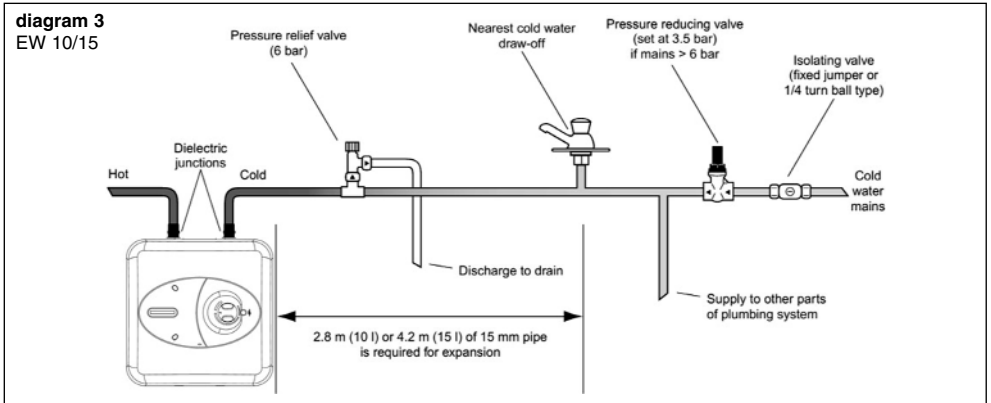
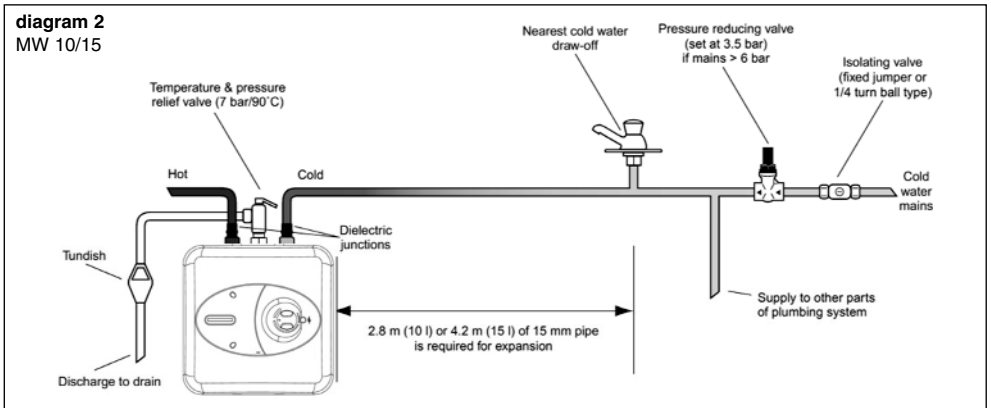
## **b) Plumbing**

**WARNING: The outlet from temperature and pressure relief valve/pressure relief valve must not be for any other purpose.**

Take great care not to allow any swarf into the pipe work or fittings, as this might impair the operation of the safety valve(s).

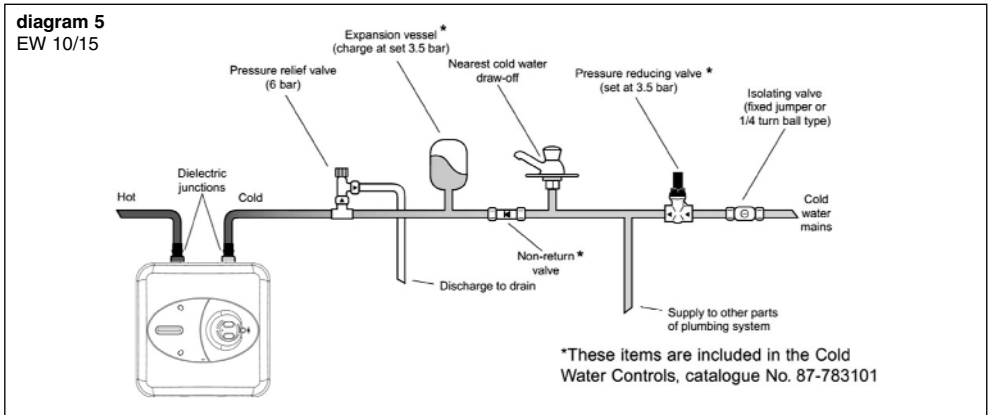
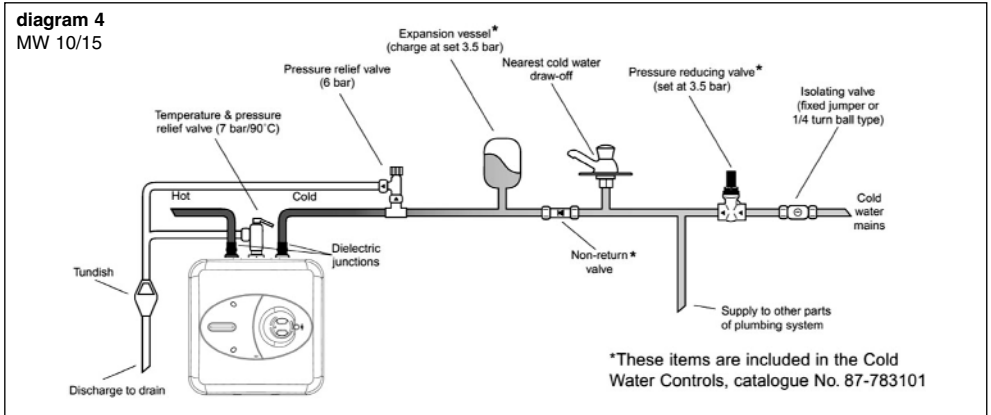
The water connection may be carried out as per the following:

# 1) Accommodation of the expansion in supply pipe work (diagrams 2 & 3).



Do not fit any stop-cocks or non-return valves within the distance required for expansion.  
The distances quoted are for 15 mm pipe these can be approximately halved for 22 mm pipe to shorten the distance required for expansion.

## 2) Accommodation of expansion in an expansion vessel (diagrams 4 & 5).



Using a pressure reducing valve (set at 3.5 bar), a non-return valve and expansion vessel charged to 3.5 bar, the expansion is accommodated in the vessel. This operates on the hydraulic principle; i.e. the expanded water is forced into the expansion vessel due to the in-line non-return valve. The vessel pressure charge is increased as it accommodates the expanded water, so that the water is discharged from the vessel when the hot draw off is opened.

**Please note that in ALL cases the DIELECTRIC JUNCTIONS MUST be connected to the heater before any other connection is made. This is very important as they prevent an electrolytic reaction occurring and safeguard the heater against potential aggressive corrosion.**

**Only the use of copper pipe is recommended for connection to the heater. If any other material is used it must be able to withstand 90°C at 7 bar pressure for long periods.**

### c) Discharge pipe work

**NOTE:** The following guidelines refer to Building Regulation G3. This regulation only applies to an unvented system over 15 litres. It is good practice to adopt the same principles for the EW and MW range.

1) The tundish must be vertical and fitted within 500 mm of the temperature & pressure relief valve and must be located with the water heater. The tundish must also be in a position visible to the occupants, and positioned away from any electrical devices. The discharge pipe from the tundish should terminate in a safe place where there is no risk to persons in the vicinity of the discharge and to be of metal.

2) Discharge pipes from the temperature & pressure relief and pressure relief valve may be joined together.

3) The pipe diameter must be at least one pipe size larger than the nominal outlet size of the safety device unless its total equivalent hydraulic resistance exceeds that of a straight pipe 9 m long.

i.e. Discharge pipes between 9 m and 18 m equivalent resistance length should be at least 2 sizes larger than the nominal outlet size of the safety device.

Between 18 m and 27 m at least 3 times larger, and so on.

Bends must be taken into account in calculating the flow resistance.

See diagram.6 and Table 2.

4) The discharge pipe must have a vertical section of pipe at least 300 mm in length, below the tundish before any elbows or bends in the pipe work.

5) The discharge pipe must be installed with a continuous fall.

6) The discharge must be visible at both the tundish and the final point of discharge, but where this is not possible or practically difficult; there should be clear visibility at one or other of these locations. Examples of acceptance are:

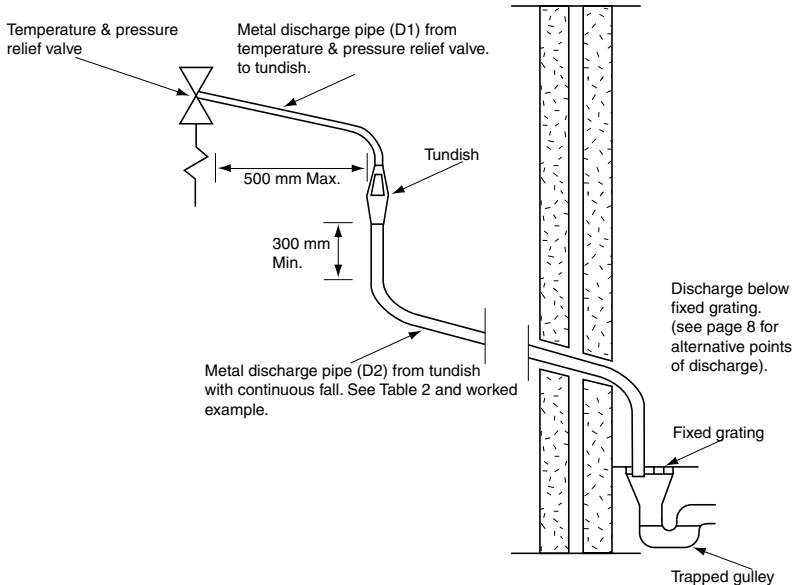
i) Ideally below a fixed grating and above the water seal in a trapped gully.

ii) Downward discharges at a low level; i.e. up to 100 mm above external surfaces such as car parks, hard standings, grassed areas etc. These are acceptable providing that where children may play or otherwise come into contact with discharges, a wire cage or similar guard is positioned to prevent contact, whilst maintaining visibility.

iii) Discharges at high level; i.e. into a metal hopper and metal down pipe with the end of the discharge pipe clearly visible (tundish visible or not). Or onto a roof capable of withstanding high temperature discharges of water 3 m from any plastic guttering systems that would collect such a discharge (tundish visible).

iv) Where a single pipe serves a number of discharges, such as in blocks of flats, the number served should be limited to not more than 6 systems so that any installation can be traced reasonably easily. The single common discharge pipe should be at least one pipe size large than the largest individual discharge pipe to be connected. If unvented hot water storage systems are installed where discharges from safety devices may not be apparent i.e. in dwellings occupied by the blind, infirm or disabled people, consideration should be given to the installation of an electronically operated device to warn when discharge takes place. Note: The discharge will consist of scalding water and steam. Asphalt, roofing felt and non-metallic rainwater goods may be damaged by such discharges.

**diagram 6**  
Suggested ways of terminating discharge pipes safely



**Table 2**

Sizing of copper discharge pipe “D2” for common temperature valve outlets.

Valve outlet size	Minimum size of discharge pipe D1*	Minimum size of discharge pipe D2* from tundish	Maximum resistance allowed, expressed as a length of pipe (i.e. no elbow or bends)	Resistance created by each elbow or bend
G 1/2	15 mm	22 mm	Up to 9 m	0.8 m
		28 mm	Up to 18 m	1.0 m
		35 mm	Up to 27 m	1.4 m
G 3/4	22 mm	28 mm	Up to 9 m	1.0 m
		35 mm	Up to 18 m	1.4 m
		42 mm	Up to 27 m	1.7 m
G 1	28 mm	35 mm	Up to 9 m	1.4 m
		42 mm	Up to 18 m	1.7 m
		54 mm	Up to 27 m	2.3 m

### Worked example

The example below is for a G 1/2” temperature & pressure relief valve with a discharge pipe (D2) having 4 no. elbows and length of 7 m from the tundish to the point of discharge.

From Table 2

Maximum resistance allowed for a straight length of 22 mm copper discharge pipe (D2) from G 1/2 T & P valve is 9 m.

Subtract the resistance for 4 no. 22 mm elbows at 0.8 m each = 3.2 m.

Therefore the maximum permitted length equates to: 5.8 m.

As 5.8 m is less than the actual length of 7 m therefore calculate the next largest size.

Maximum resistance allowed for a straight length of 28 mm pipe (D2) from G 1/2” T & P valve equates to: 18 m.

Subtract the resistance for 4 no. 28 mm elbow at 1.0 m each = 4 m.

Therefore the maximum permitted length equates to: 14 m

As the actual length is 7 m a 28 mm (D2) copper pipe will be satisfactory.

### d) Electrical

**WARNING: The appliance must be earthed.**

The electrical installation must be in line with the current I.E.E. wiring regulations. A mains supply of 230/240 VAC (BS 7671) 3 kW (13 amps) is required (diagram 7)

Heat resisting cable, round 3 core 1.5 mm (to BS 6141 table 8) should be used to connect to the electrical supply through either:

- a 13 amp socket to BS 1363; or



- a double pole fused isolating switch with a contact separation of 3 mm minimum on each pole.

The cable enters the terminal compartment through a tube embedded in the foam insulation, the entrance to this tube is on the right hand side at the bottom.

Flexible cables are colour coded as follows:

Brown..... live

Blue..... neutral

Green and yellow..... earth

Cut back cables to expose 10 mm of conductor for L, N, & E. Connect cable to supply terminal of the TBST thermostat making sure that all terminal screws are tight and that no cable insulation is trapped in the block. Ensure that the cable is retained within the clamp.

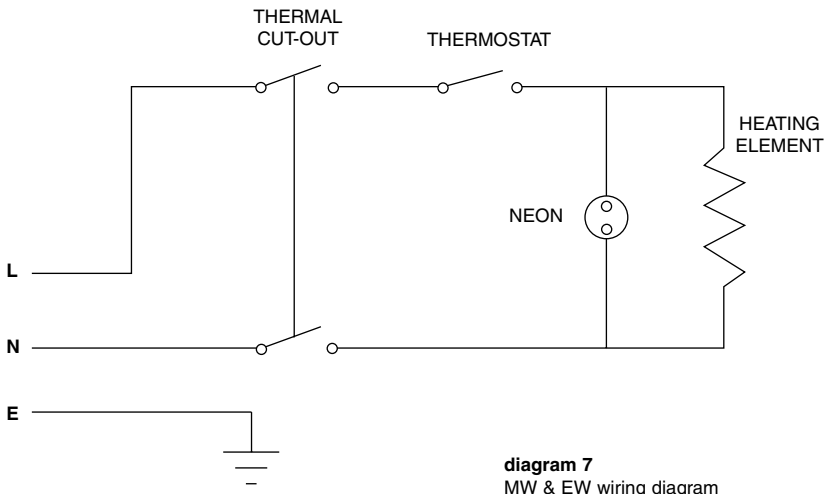


diagram 7  
MW & EW wiring diagram

Access to the terminal compartment is gained by prising out the “model” nameplate, the two small inserts and then undoing the three screws revealed.

**NOTE:** The earth terminal is located on the heating element securing bracket in the centre of the appliance.

### e) Commissioning

- Check that all the necessary components are supplied and for those not factory fitted, that they are the type recommended by the manufacturer for the particular water heater.
- Check that the water heater/components are undamaged.
- Check that the discharge pipe is plumbed so that it falls continuously and that no taps or valves or other shut-off devices are installed in the pipe.

- Check that the discharge pipe drains safely to waste and is readily visible.
- Check, in the case where some components are not factory fitted, that they are marked so as to refer to the warning label on the water heater.
- Open all outlet taps.
- Turn on the mains water supply.
- Close taps in turn as water flow stabilises with no air bubbles.
- Check for leaks.
- Check that no water is passing through the safety valve(s).
- Test the operation of the safety valve(s) by lifting/turning the lever/knob, and observing that water flows through and safely to waste.
- Switch on electricity and set thermostat (see page 4).
- Check the water heats up.
- Check that “warning to user label” is secure and visible on the heater and related warning labels are fitted to the controls.
- Demonstrate operation to user, including operation of safety valve(s) and what to do if it/they operate(s).
- Give this handbook to the user and discuss future maintenance.

## Maintenance

### a) For the user

In order to obtain the best performance from the heater, the sacrificial anode must be inspected every year at more regular intervals in aggressive water areas. If the heating element is heavily coated with scale we recommend descaling at the time of this inspection. Where the additional cold water controls are fitted, the expansion vessel will need to be recharged by the installer.

### b) For the installer

#### **WARNING: Switch off the power first**

Access to the electrical components, the magnesium anode and water container is gained by unscrewing the 4 screws on the front cover.

If the thermal cut-out has operated the cause must be found before resetting.

To drain the heater close the service valve and:

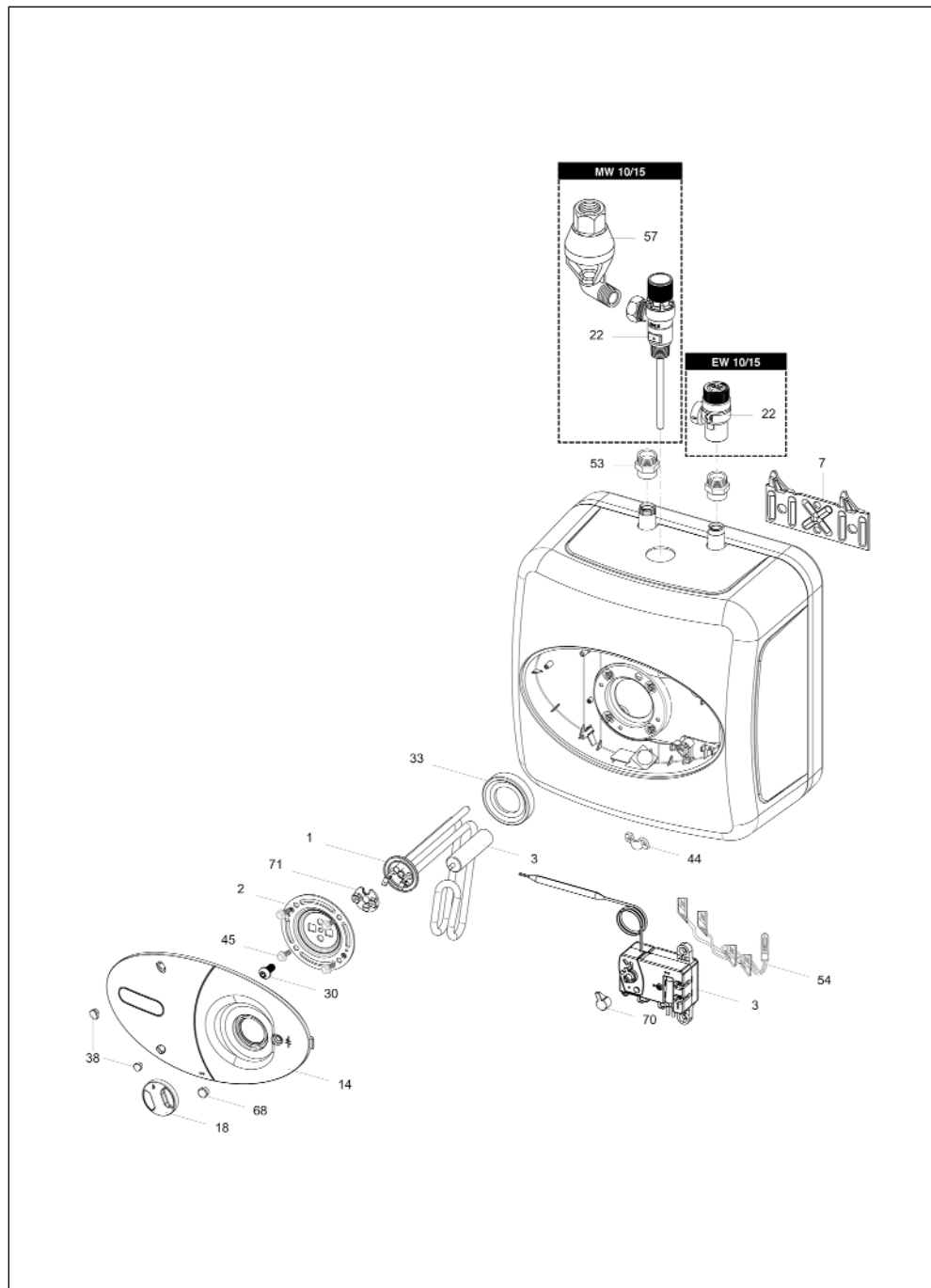
- i) for under-sink models (MW 10 U/15U - EW 10/15) disconnect pipes and remove the heater from the wall.
- ii) for over-sink models (MW 10 O - MW 15 O) undo the cold water supply pipe and open a hot water tap.  
The heating element may be removed after taking out the thermostat phials by undoing the M6 nut.  
The assembly should then be turned through 90° anti-clockwise to ease removal from the water container.

Once the element is free from the water container the anode may then be inspected and removed if necessary.

When reassembling the cover make sure that the regulation knob is coupled with the thermostat.

## Fault finding

- 1) Pressure and temperature valve dripping/running all the time.  
**Cause:** Thermal cut-out and thermostat have failed (this is only the case if the water being discharged is near to boiling).  
Mains pressure is above 7 bar. A pressure reducing valve must be fitted (refer to diagram 2).
- 2) Pressure relief valve dripping/running all the time.  
**Cause:** Mains pressure is above 6 bar. A pressure reducing valve must be fitted (refer to diagram 3).
- 3) Dripping while unit heating.  
**Cause:** Not enough pipe work for expansion; or stop-cock, non-return valve or pressure reducing valve has been fitted within the distance required for expansion (refer to diagrams 4&5). If an expansion vessel has been fitted, the charge may have failed.
- 4) No hot water.  
**Cause:** Thermal cut-out has operated.  
The heating element has burnt-out.  
The thermostat is faulty.
- 5) Milky water.  
**Cause:** This is a result of heavily limed and oxygenated water being heated. This is harmless and the cause is the water and not the heater.
- 6) No water at all.  
**Cause:** Valve incorrectly fitted.  
Debris in the mains.  
Mains water supply turned off.



# Spare Parts

## MW/EW spares list: From Autumn 2015

<b>Item no</b>	<b>Cat no</b>	<b>Description</b>	<b>Used on</b>
1	97783319	HEATING ELEMENT 3000W 220-240V	MW 10/EW 10
1	97783320	HEATING ELEMENT 3000W 220-240V	MW 15/EW 15
2	97783317	FLANGE WITH 4 HOLES	MW/EW
3	97783304	WIRED THERMOSTAT	MW
3	97783305	WIRED THERMOSTAT	EW
7	97783301	HEATER WALL HANGING BRACKET	MW/EW
14	97783310	PLASTIC COVER	MW/EW
18	97783314	KNOB (REGULATION)	MW/EW
22	97783321	SAFETY VALVE (6 BAR)	EW
22	97783309	T&P VALVE 1/2" 7 BAR	MW
23	97783318	ANODE D:21,3 L:110 M5-M8	MW/EW
30	97783307	SCREW M6x12	MW/EW
33	97783316	FLANGE GASKET	MW/EW
38	97783313	SCREW COVER	MW/EW
44	97783308	CABLE CLAMP	MW/EW
45	97783312	FLANGIA SCREW M6x12	MW/EW
53	97783303	CONFECTION DIELECTRIC JOINTS 1/2"	MW/EW
54	97783306	WIRING HARNESS	MW/EW
57	97783302	TUNDISH (1/2")	MW
68	97783311	SIGNAL LAMP CAP	MW/EW
70	97783322	CAP (REGULATION)	EW
71	97783315	TERMINAL SHIELD	MW/EW





# Guarantee

We, Applied Energy Products Ltd., guarantee that should this unvented water heater prove to be defective by reason of faulty workmanship or material within 12 months of the date of purchase or commencement of hire we will replace the defective parts FREE OF CHARGE on condition that:-

- a) The appliance has been correctly installed and used only on the supply circuit or voltage stamped on the rating plate
- b) The appliance has been used in accordance with these instructions and has not been tampered with or otherwise subject to misuse, neglect or accident.
- c) The appliance has not been taken apart, modified or repaired except by a person authorised by us.
- d) Evidence of the date of purchase in the form of an invoice, receipt (hire purchase documents) is included with the appliance if returned under guarantee.

“This guarantee does not affect your Statutory rights”

Full details of Terms and Conditions are available on request from:-

**REDRING®**

REDRING XPELAIR GROUP Ltd.  
NEWCOMBE HOUSE. NEWCOMBE WAY, ORTON SOUTHGATE,  
PETERBOROUGH PE2 6SE UK  
TEL +44 (0) 8443727766

