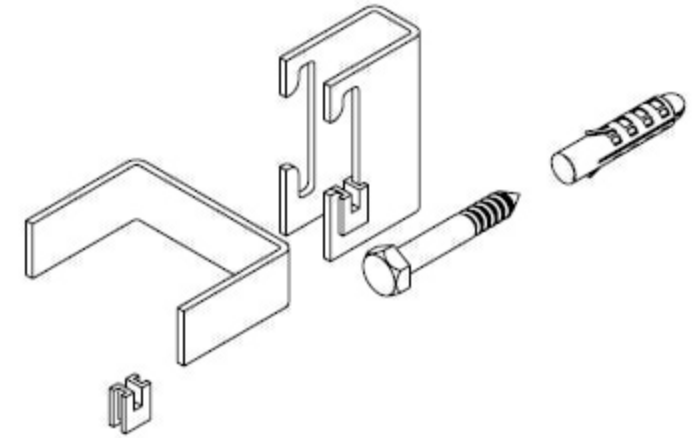


WIDTH - 144



Code	Name of the prd	H	W	Pipe Center	Wall to pipe Center	wall distance	tube qnt	fuel type	Btu	watts
RND-FL06WD	FLAT DBL	600	440	440	64	93	12	C/E/D	2.032	596
RND-FL08WD	FLAT DBL	600	588	588	64	93	16	C/E/D	2.714	796
RND-FL11WD	FLAT DBL	600	810	810	64	93	22	C/E/D	3.730	1094
RND-FL14WD	FLAT DBL	600	1032	1032	64	93	28	C/E/D	4.743	1391
RND-FL17WD	FLAT DBL	600	1254	1254	64	93	34	C/E/D	5.763	1690

