

## CNS Trend UK

ErP Lot 20 compliant panel heater

Product – No: 236599 - 236565

Compact wall mounted panel heater  
STIEBEL ELTRON CNS..Trend UK



### The main features

Electronic controller with easy to use LCD display

---

24hr / 7day electronic programmer

---

Open window detection

---

Adaptive start control

---

Pilot wire control (optional)

---

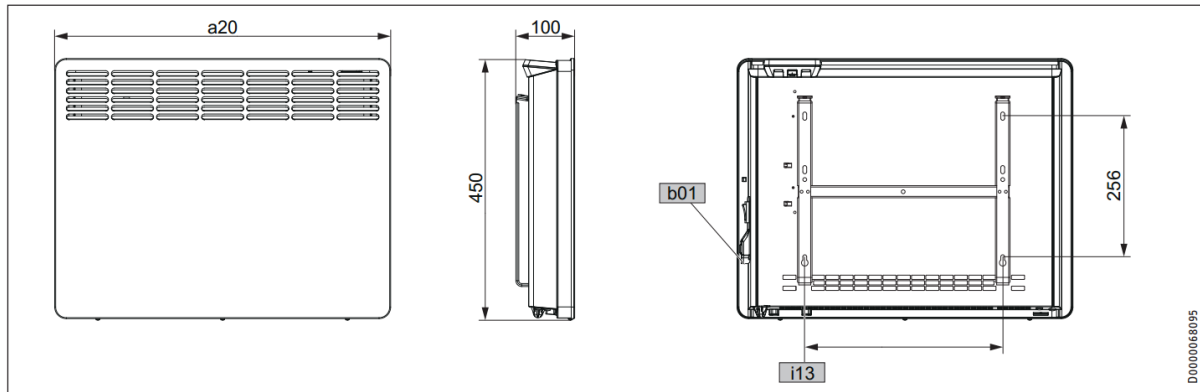
Polar white casing

---

Locking wall bracket for improved safety

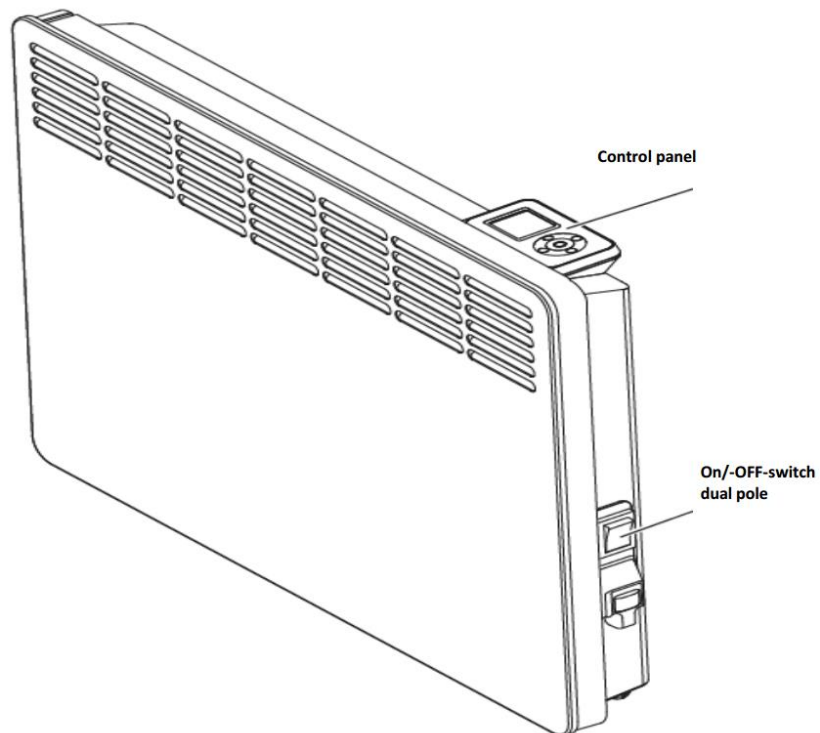
---

## Dimensions and connections



D0000068095

			CNS 50 TREND UK	CNS 75 TREND UK	CNS 100 TREND UK	CNS 150 TREND UK	CNS 200 TREND UK	CNS 250 TREND UK	CNS 300 TREND UK
a20	Appliance	Width	mm	348	426	426	582	738	1050
i13	Wall mounting bracket	Horizontal hole spacing	mm	101	179	179	335	491	803
b01	Entry electrical cables								



## Data Table

		CNS 50 TREND UK 236559	CNS 75 TREND UK 236560	CNS 100 TREND UK 236561	CNS 150 TREND UK 236562	CNS 200 TREND UK 236563	CNS 250 TREND UK 236564	CNS 300 TREND UK 236565
<b>Electrical data</b>								
Connected load	kW	0.5	0.75	1.0	1.5	2.0	2.5	3.0
Power supply		1/N/PE ~240V	1/N/PE ~240V	1/N/PE ~240V	1/N/PE ~240V	1/N/PE ~240V	1/N/PE ~240V	1/N/PE ~240V
Frequency		50/60Hz	50/60Hz	50/60Hz	50/60Hz	50/60Hz	50/60Hz	50/60Hz
<b>Dimensions</b>								
Height	mm	450	450	450	450	450	450	450
Width	mm	348	426	426	582	738	894	1050
Depth	mm	100	100	100	100	100	100	100
<b>Weights</b>								
Weight	kg	4.0	4.6	4.6	6	7.7	9.2	10.9
<b>Versions</b>								
Frost protection setting	°C	7	7	7	7	7	7	7
Version		Wall mounted appliance	Wall mounted appliance	Wall mounted appliance	Wall mounted appliance	Wall mounted appliance	Wall mounted appliance	Wall mounted appliance
IP rating		IP24	IP24	IP24	IP24	IP24	IP24	IP24
Protection class		I	I	I	I	I	I	I
Colour		Alpine white	Alpine white	Alpine white	Alpine white	Alpine white	Alpine white	Alpine white
<b>Values</b>								
Setting range	°C	5-30	5-30	5-30	5-30	5-30	5-30	5-30

### Contact information

Do you have additional questions? Then please do not hesitate to contact us, we would be only too happy to help:

Call 0151 346 2300

Or send an e-mail to

[sales@stiebel-eltron.co.uk](mailto:sales@stiebel-eltron.co.uk)

Only a qualified contractor should carry out the installation, commissioning, maintenance and repair of this appliance. Where applicable and prior to installation the electricity and/or water utility companies should be notified of your intention to install the product.