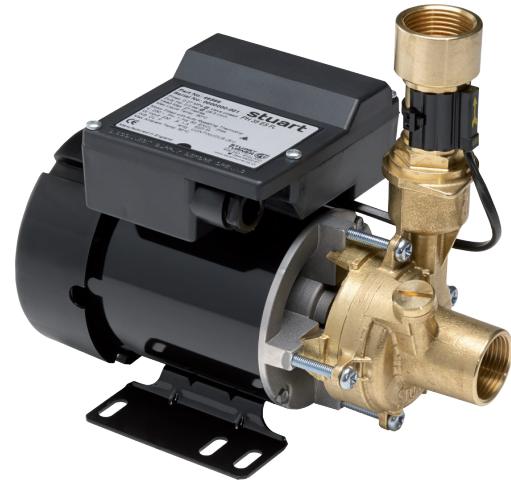


stuart

PH ES Automatic Flow Switch Pumps

The PH ES Automatic Flow Switch range of peripheral pumps offer a simple solution to pressure boosting where a gravity flow of approx. 1 l/min already exists.

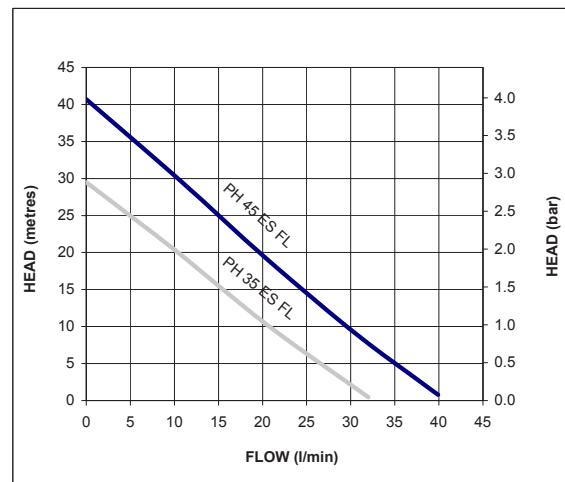


Features

- Fully automatic control - positive head
- No on-site setting/commissioning
- Built in 'no water' cut out
- No pulsing in operation
- Easy installation
- Reliable
- Quiet operation

Application

- Ideal for the pressurisation of water to outlets in a positive head application, where an instant boosted supply is required from a simple to install package. The range is suitable for commercial or domestic use, pumping hot or cold water

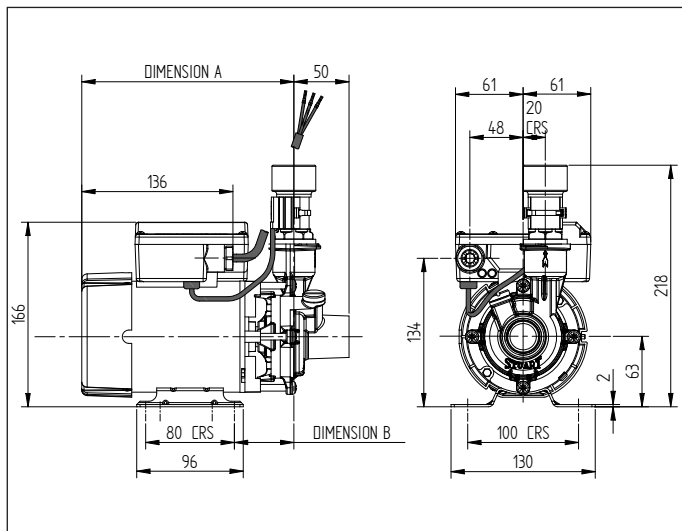


For further advice on selecting the correct pump call or e-mail info@stpumps.co.uk

pumpassist
HELPLINE +44 (0) 844 98 000 97

stuart

Pump Model		PH 35 ES FL 46566	PH 45 ES FL 46567
General	Guarantee	1 year	
Features	Pump type	Peripheral	
	Mechanical seal	Nitrile / Carbon / Ceramic	
	Dry run protection	✓	✓
Performance	Maximum head (closed valve)	30 metres	40 metres
	Performance @ 9 l/min	20 metres	30 metres
	Performance @ 18 l/min	13 metres	23 metres
	Maximum flow	33 l/min	40 l/min
	Minimum static inlet pressure	0.05 bar (0.5 metres)	
	Maximum static inlet pressure	1.4 bar (14 metres)	
	Maximum working pressure*	600 kPa (6 bar)	
	Maximum ambient air temperature	40 °C	
	Min / Max water temperature	Min 4 °C / Max 80 °C	
	Flow switch sensitivity (approx)	1 l/min	
Connections	Pump connections	G 1 female	
Motor	Type	Induction, auto-reset thermal trip	
	Duty rating	Continuous (S1) @ 2.5 l/min and above	
Electrical	Power supply / phase / frequency	230 V a.c. / 1 / 50 Hz	
	Current (full load)	1.4 Amps	1.8 Amps
	Power consumption	320 Watts	405 Watts
	Fuse rating	5 Amps	
	Power cable (pre-wired)	1.5 metres	
Physical	Enclosure protection	IPX4	
	Length	241 mm	270 mm
	Width	130 mm	
	Height (excluding hoses)	218 mm	
	Weight (including fittings)	5.6 Kg	6.6 Kg



* The maximum pressure that can be applied to the pump under any installation conditions.

Pump Description	Dim. 'A'	Dim. 'B'
PH 35 ES FL	191 mm	54 mm
PH 45 ES FL	220 mm	54 mm

Stuart Turner Limited reserves the right to amend specifications without notice.