

APSLEY Towel Rail

- 22mm Cross Tubes with Extended Towel Bars & 'D' Shaped Collectors
- Available in 4 heights and 1 width
- 25 RAL colours plus RAL 9016 as standard (page 9)
- Standard White available in 48 - 72 hours, colours 10 working days
- Supplied with 4 Wall Brackets and 1 Manual Airvent
- Manufactured and tested to EN442



NEW LOWER PRICES!*

Sizes and Prices

Dimensions (mm)		Cross Tubes	Output Δt 50°C		Product Code	White Ex VAT	White Inc VAT	Colour Ex VAT	Colour Inc VAT
Height	Width		Watts	Btu's					
620	500	11	300	1024	APSL625011	£110.00	£132.00	£187.00	£224.40
900	500	16	440	1501	APSL905016	£127.00	£152.40	£216.00	£259.20
1100	500	19	540	1842	APSL115019	£138.00	£165.60	£250.00	£300.00
1300	500	24	641	2187	APSL135024	£153.00	£183.60	£281.00	£337.20



APSLEY in RAL 9016.



APSLEY in RAL 7016.

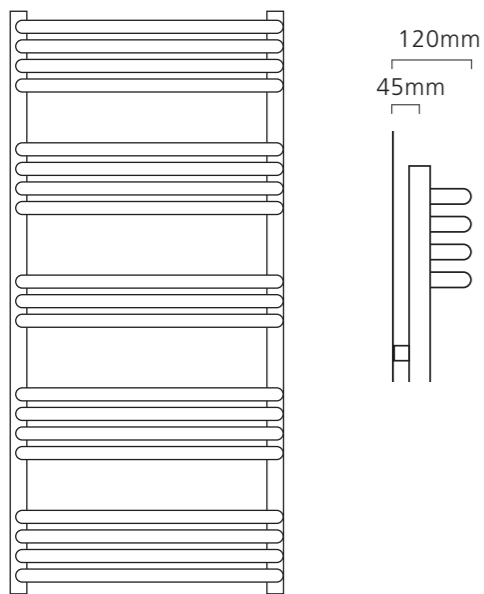


DARWIN Valves from £61.20 (pg 62).



◆ APSLEY Towel Rail 900mm x 500mm RAL 9007 shown with DRAKE valves.

Pipe Centres and Technical Drawings



Pipe centres left to right = Width less 40mm
 Pipe centres from wall = 45mm
 Depth from wall = 120mm

25 RAL colours available; see pages 8-9 for more information



* Savings based on prices listed in edition 8, printed 2nd February 2015

RAL COLOURS

Available for CORNEL, EDISON, BEAUFORT, ASHBY & APSLEY

If you are looking to add some colour to create an eye catching feature or to match your radiators with your colour scheme, our ranges of Cornel, Edison & Beaufort radiators as well as Ashby & Apsley towel rails are now available in 25 of the most popular RAL colours.

Your new radiator or towel rail will be painted by our UK based powder coating specialists in a long lasting satin finish. To allow for the colour process, delivery will be in 10 working days to UK mainland invoice addresses, Scotland and offshore islands may take longer where we aim to deliver within 15 working days.

- 25 most popular RAL colours to choose from, plus White RAL 9016 as standard (see opposite page)
- Available in 10 working days (for orders of more than 10 radiators please allow up to an additional 5 working days for delivery)
- Robust powder coat finish guaranteed for 5 years
- Satin sheen finish, similar to eggshell

Please note; the image below represents the range of colours we offer. Radiators can only be painted in one selected colour.



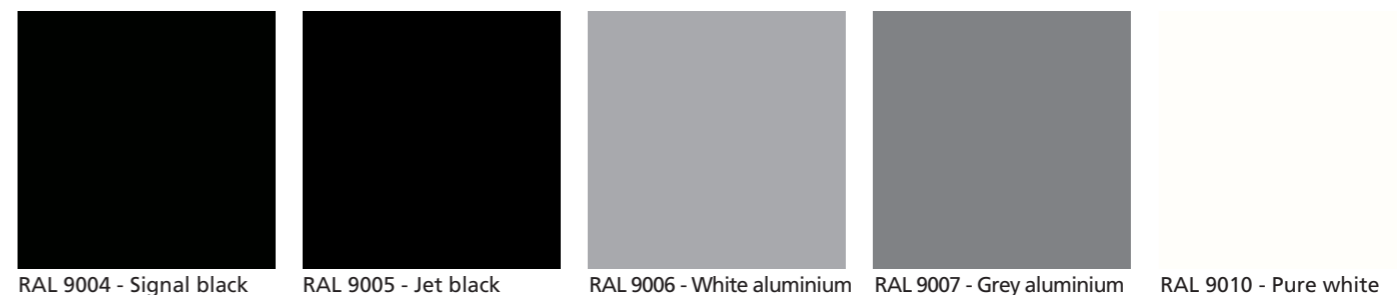
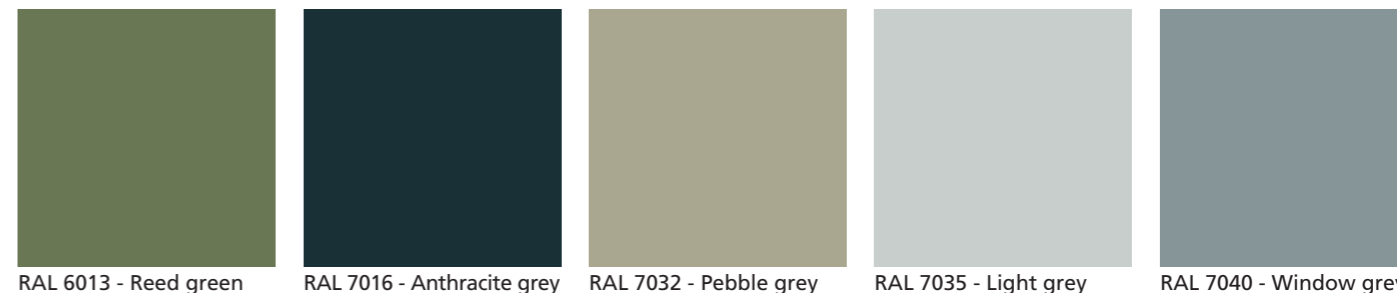
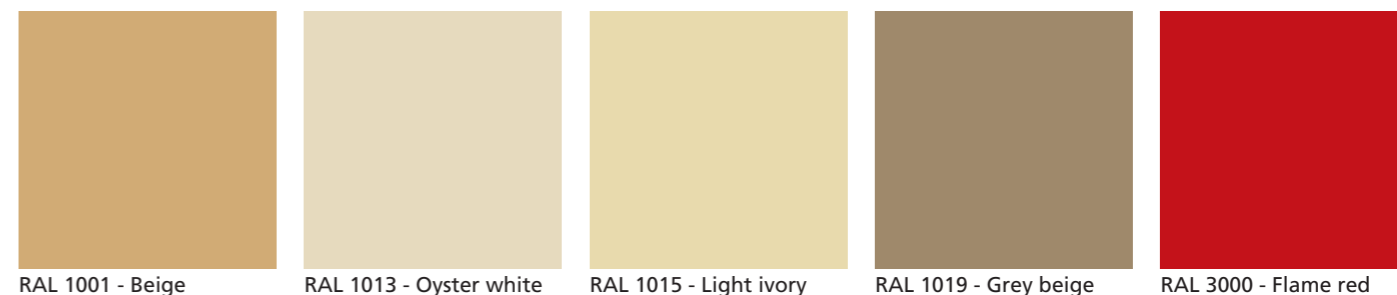
Please Note; delivery dates can only be confirmed once we have receipt of your chosen RAL colour number; please ensure your selected colour number and name is included on your order.

To discuss a quotation for other colours outside of the above range please call 01342 306880.

Please note: Due to the printing process and manufacturing tolerances the colour (including white) of a finished radiator may vary slightly from the colours represented in this brochure. It should also be noted that the final finished colour of radiators ordered in the same colour but at different times may vary due to production processes.

RAL COLOURS CORNEL, EDISON, BEAUFORT, ASHBY & APSLEY

RAL 9016 - Traffic white supplied as standard (for the Cornel, Beaufort, Ashby & Apsley).



To discuss a quotation for other colours outside of the above range please call 01342 306880.