

ARGYLL Fitting Instructions

Chrome

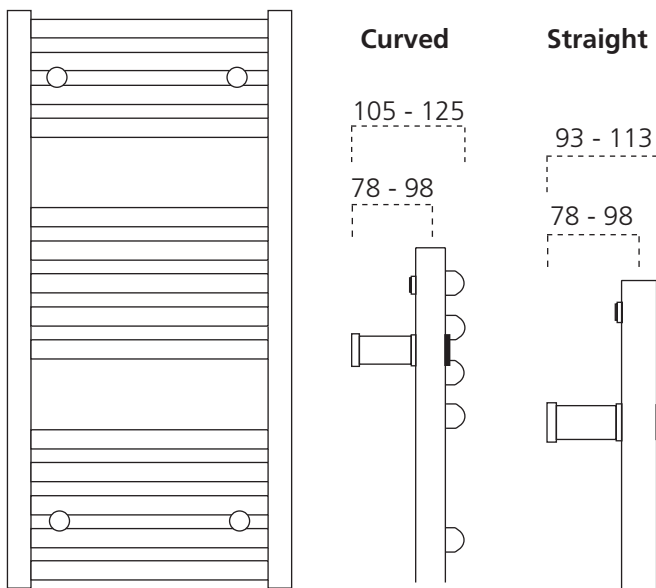
22mm Straight or Curved Cross Tubes

Please read these instructions and terms and conditions carefully prior to installation. Failure to do so may invalidate the warranty.

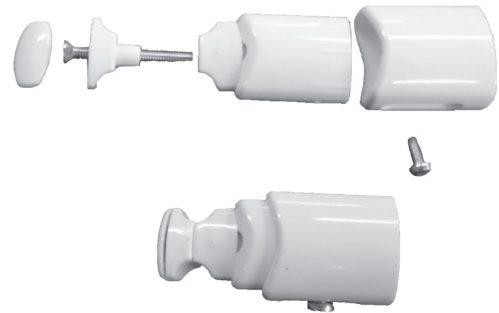


Drawings

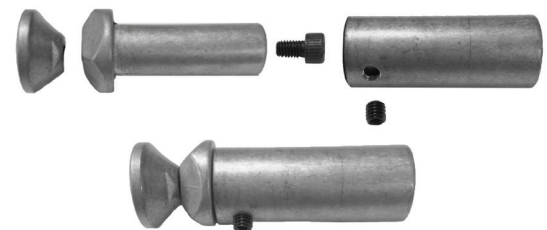
Suggested Bracket Positions



Chrome and White Brackets



Painted Brackets



Pipe Centres

		Curved	Straight
Pipe centres left to right	=	width - 45mm	width - 45mm
Pipe centres from wall	=	78mm - 98mm	78mm - 98mm
Depth from wall	=	105mm - 125mm	93mm - 113mm

1. Unpack & Inspect

This product should have reached you in perfect condition. Please carefully unpack and inspect this radiator and all fittings. Your point of purchase must be notified of any shortages or damage within 28 days of delivery. For further information please see terms and conditions on reverse.

2. Contents

You should have:

- 1 Towel Rail
- 4 Wall Brackets
- 1 Manual Airvent
- 1 Blanking Plug

You will need:

- Tape measure
- Electric drill and bits
- Spirit level
- Airvent Key
- Appropriate wall fixings
- Spanners for airvents and valves.

Cleaning Guidelines

Steel products can be cleaned using a soft damp cloth with a non abrasive cleaning product.

3. Installing Towel Rail

Argyll Towel Rails are supplied with 4 brackets which can be placed between the cross tubes to suit; we recommend placing the brackets in the second gap from the top and bottom (see drawing 2 overleaf).

4. Fix Brackets

1. Fit the bracket heads to the Towel Rail in the desired position and slide the bracket sleeve on (do not secure with the retaining screw at this stage).
2. Place the Towel Rail against the wall and mark the position of the bracket sleeves (see drawings overleaf)
3. Remove the Towel Rail and using a bracket sleeve mark the location of the screw holes.
4. Using appropriate drill bits and screws, fix bracket sleeves to the wall (make sure that the locating holes for the retaining screws are accessible) and check they are level.
5. Hang the Towel Rail by inserting bracket heads into the bracket sleeves and secure with the grub screws.

Please Note: When fixing the brackets for the Argyll Curved, do not fully tighten the bracket head around the bar.

5. Commission Towel Rail

Please Note: In accordance with Part L1 2006 of the Building Regulations and BS7593:1992 code of practice for the treatment of hot water and central heating systems, we strongly recommend flushing the heating system post installation of new radiators and then adding the correct quantity and type of inhibitor for use with your radiator and system to prevent corrosion. Damage caused to systems not protected by a suitable inhibitor will not be covered by manufacturer's guarantee.

Technical Specifications

Materials	Steel
Connections	½" flow and return.
Test pressure	13 Bar
Testing authority	EN442
Maximum operating pressure	3.5 Bar
Maximum working temperature	90 °C
Packaging	Packed in bubble wrap in a double walled cardboard box and heat shrink wrapped.

Guarantees & Liabilities

This product is guaranteed for 5 years. As we are not the manufacturers of this product we will take all reasonable endeavours to make over to you the benefit of any warranty or guarantee given by the manufacturer.

The guarantees in all cases are subject to the products being installed in accordance with British and or European standards as well as these fitting instructions. The guarantees in all cases are restricted to the free of charge replacement or repair of the failed product only. Our liability will under no circumstances extend beyond the repair or replacement of the product supplied by us. Claims for either labour in replacement or damage to property are not admissible. Any goods that are returned, in the event of a problem, will belong to us.

Terms & Conditions

All products must be inspected once removed from the packaging and your point of purchase notified within 28 days of delivery of any scratches, blemishes or other damage. Your point of purchase will then agree appropriate action.

Imperfect radiators should therefore not be fitted and we will not accept responsibility for replacement of scratched or damaged radiators once they have been fitted. This includes any consequential loss or cost of fitting.

If we are not notified within 28 days of the date on the signed delivery note then it will be deemed that we have fully complied with our obligations and claims will not be considered. Failure to comply with any of the above may invalidate any claims. We recommend that after you check the product on delivery that it is stored in its packaging to prevent damage prior to installation, we cannot accept responsibility for items damaged after delivery.

For full details of our Terms and Conditions please visit www.supplies4heat.co.uk or call us on 01342 306880.