



Design | Choice | Service



Trench shown in Beech grille.

With its aluminium convector unit the Trench is a practical alternative to underfloor heating, requiring no wall space and giving excellent heat output.

For more information and fitting instructions please visit our website www.theradiatorcompany.co.uk.

Overview

Aluminium & Steel Convector: Poly Ethylene or Fibreglass Trench Unit, Wood or Aluminium Grille
80 models available in 3 depths and 10 lengths
5 year warranty

Finish

Choose of grilles (shown right) for either painted aluminium or various woods types
For samples please call us on 01342 302250.

Delivery

Made to Order: 4 weeks

- White Aluminium
- Black Aluminium
- Bronze Aluminium
- Silver Aluminium
- Ash Untreated
- Ash Varnished
- Beech Untreated
- Beech Varnished
- Oak Untreated
- Oak Varnished
- Merbau Untreated
- Merbau Varnished



www.theradiatorcompany.co.uk

Tel. 01342 302250 Fax. 01342 302260

sales@theradiatorcompany.co.uk

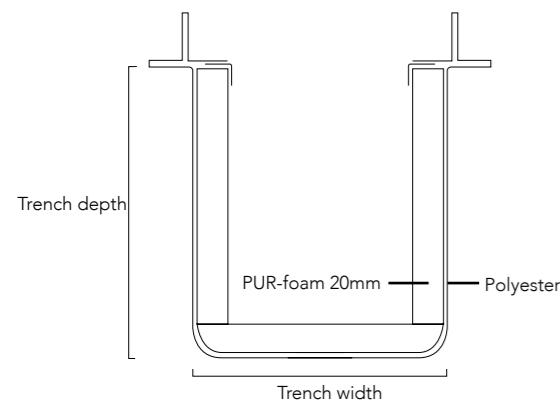
Trench sizes & prices

Trench 300mm Depth

Model	Length A (mm)	Width B (mm)	Watts Δt 50°C	Btu's Δt 50°C	Price Ex VAT	Price Inc VAT
TREN3D8028	800	280	390	1331	£491.00	£589.20
TREN3D8036	800	360	581	1982	£583.00	£699.60
TREN3D8046	800	460	755	2576	£688.00	£825.60
TREN3D1028	1000	280	546	1863	£588.00	£705.60
TREN3D1036	1000	360	815	2781	£699.00	£838.80
TREN3D1046	1000	460	1061	3620	£833.00	£999.60
TREN3D1228	1200	280	700	2388	£687.00	£824.40
TREN3D1236	1200	360	1045	3566	£821.00	£985.20
TREN3D1246	1200	460	1370	4674	£970.00	£1,164.00
TREN3D1428	1400	280	859	2931	£758.00	£909.60
TREN3D1436	1400	360	1285	4384	£937.00	£1,124.40
TREN3D1446	1400	460	1687	5756	£1,116.00	£1,339.20
TREN3D1628	1600	280	1030	3514	£881.00	£1,057.20
TREN3D1636	1600	360	1525	5203	£1,058.00	£1,269.60
TREN3D1646	1600	460	2027	6916	£1,261.00	£1,513.20
TREN3D1828	1800	280	1200	4094	£980.00	£1,176.00
TREN3D1836	1800	360	1780	6073	£1,173.00	£1,407.60
TREN3D1846	1800	460	2353	8028	£1,402.00	£1,682.40
TREN3D2028	2000	280	1370	4674	£1,082.00	£1,298.40
TREN3D2036	2000	360	2043	6971	£1,297.00	£1,556.40
TREN3D2046	2000	460	2693	9189	£1,541.00	£1,849.20
TREN3D2228	2200	280	1548	5282	£1,179.00	£1,414.80
TREN3D2236	2200	360	2306	7868	£1,415.00	£1,698.00
TREN3D2246	2200	460	3049	10403	£1,685.00	£2,022.00
TREN3D2428	2400	280	1734	5916	£1,279.00	£1,534.80
TREN3D2436	2400	360	2569	8765	£1,537.00	£1,844.40
TREN3D2446	2400	460	3405	11618	£1,828.00	£2,193.60

Please note.

Trench units are sold with all internal components and your choice of wood or metal grille.



This is the standard Trench profile suited to new builds. The frame protrudes from the sides to allow screed for flooring to be laid over the frame. The Trench frame is recessed 30 x 30 x 3mm for wood grilles and 25 x 35 x 3mm for aluminium grilles.

Please Note:

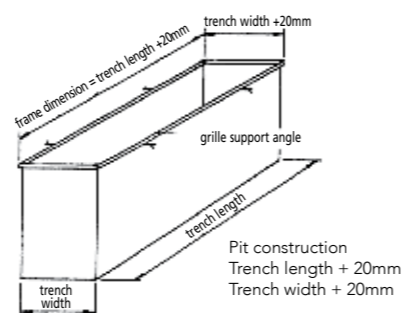
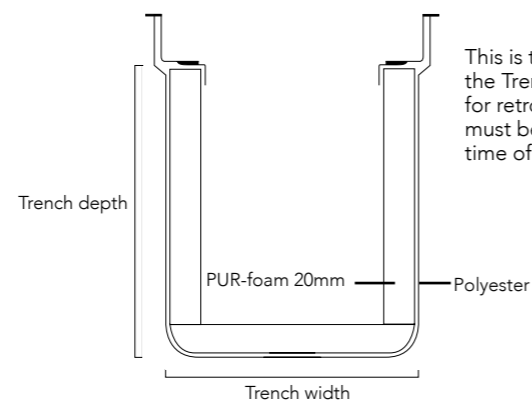
Standard new build trench units will be made of Poly Ethylene, retro fit models will be made of fibreglass.

Trench 520mm Depth

Model	Length A (mm)	Width B (mm)	Watts Δt 50°C	Btu's Δt 50°C	Price Ex VAT	Price Inc VAT
TREN5D8028	800	280	489	1668	£523.00	£627.60
TREN5D8036	800	360	727	2481	£619.00	£742.80
TREN5D8046	800	460	945	3224	£727.00	£872.40
TREN5D1028	1000	280	683	2330	£631.00	£757.20
TREN5D1036	1000	360	1017	3470	£744.00	£892.80
TREN5D1046	1000	460	1328	4531	£876.00	£1,051.20
TREN5D1228	1200	280	875	2986	£717.00	£860.40
TREN5D1236	1200	360	1360	4640	£866.00	£1,039.20
TREN5D1246	1200	460	1713	5845	£1,018.00	£1,221.60
TREN5D1428	1400	280	1074	3664	£812.00	£974.40
TREN5D1436	1400	360	1606	5480	£993.00	£1,191.60
TREN5D1446	1400	460	2109	7196	£1,168.00	£1,401.60
TREN5D1628	1600	280	1287	4391	£940.00	£1,128.00
TREN5D1636	1600	360	1906	6503	£1,114.00	£1,336.80
TREN5D1646	1600	460	2534	8646	£1,315.00	£1,578.00
TREN5D1828	1800	280	1500	5118	£1,045.00	£1,254.00
TREN5D1836	1800	360	2225	7592	£1,239.00	£1,486.80
TREN5D1846	1800	460	2941	10035	£1,463.00	£1,755.60
TREN5D2028	2000	280	1713	5845	£1,152.00	£1,382.40
TREN5D2036	2000	360	2554	8714	£1,363.00	£1,635.60
TREN5D2046	2000	460	3366	11485	£1,603.00	£1,923.60
TREN5D2228	2200	280	1935	6602	£1,253.00	£1,503.60
TREN5D2236	2200	360	2883	9837	£1,490.00	£1,788.00
TREN5D2246	2200	460	3811	13003	£1,755.00	£2,106.00
TREN5D2428	2400	280	2167	7394	£1,400.00	£1,680.00
TREN5D2436	2400	360	3211	10956	£1,612.00	£1,934.40
TREN5D2446	2400	460	4256	14521	£1,900.00	£2,280.00

Please note.

Trench units are sold with all internal components and your choice of wood or metal grille.



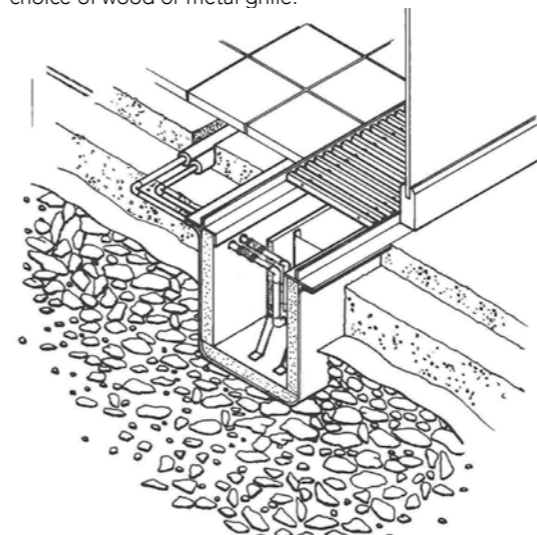
Trench sizes & prices

Trench 620mm Depth

Model	Length A (mm)	Width B (mm)	Watts Δt 50°C	Btu's Δt 50°C	Price Ex VAT	Price Inc VAT
TREN6D8028	800	280	537	1832	£594.00	£712.80
TREN6D8036	800	360	793	2706	£702.00	£842.40
TREN6D8046	800	460	1026	3501	£823.00	£987.60
TREN6D1028	1000	280	750	2559	£719.00	£862.80
TREN6D1036	1000	360	1115	3804	£845.00	£1,014.00
TREN6D1046	1000	460	1453	4958	£988.00	£1,185.60
TREN6D1228	1200	280	967	3299	£832.00	£998.40
TREN6D1236	1200	360	1441	4917	£879.00	£1,054.80
TREN6D1246	1200	460	1886	6435	£1,147.00	£1,376.40
TREN6D1428	1400	280	1190	4060	£955.00	£1,146.00
TREN6D1436	1400	360	1779	6070	£1,121.00	£1,345.20
TREN6D1446	1400	460	2321	7919	£1,315.00	£1,578.00
TREN6D1628	1600	280	1431	4883	£1,072.00	£1,286.40
TREN6D1636	1600	360	2128	7261	£1,262.00	£1,514.40
TREN6D1646	1600	460	2786	9506	£1,483.00	£1,779.60
TREN6D1828	1800	280	1664	5678	£1,189.00	£1,426.80
TREN6D1836	1800	360	2476	8448	£1,400.00	£1,680.00
TREN6D1846	1800	460	3250	11089	£1,650.00	£1,980.00
TREN6D2028	2000	280	1906	6503	£1,311.00	£1,573.20
TREN6D2036	2000	360	2843	9700	£1,542.00	£1,850.40
TREN6D2046	2000	460	3733	12737	£1,805.00	£2,166.00
TREN6D2228	2200	280	2128	7261	£1,429.00	£1,714.80
TREN6D2236	2200	360	3211	10956	£1,685.00	£2,022.00
TREN6D2246	2200	460	4217	14388	£1,987.00	£2,384.40
TREN6D2428	2400	280	2418	8250	£1,549.00	£1,858.80
TREN6D2436	2400	360	3578	12208	£1,826.00	£2,191.20
TREN6D2446	2400	460	4720	16105	£2,136.00	£2,563.20
TREN6D2628	2600	280	2669	9107	£1,670.00	£2,004.00
TREN6D2636	2600	360	3966	13532	£1,964.00	£2,356.80
TREN6D2646	2600	460	5223	17821	£2,306.00	£2,767.20

Please note.

Trench units are sold with all internal components and your choice of wood or metal grille.



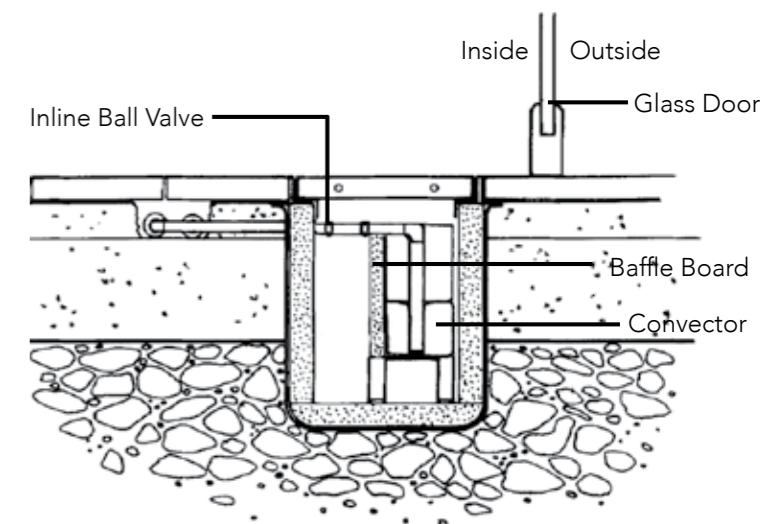
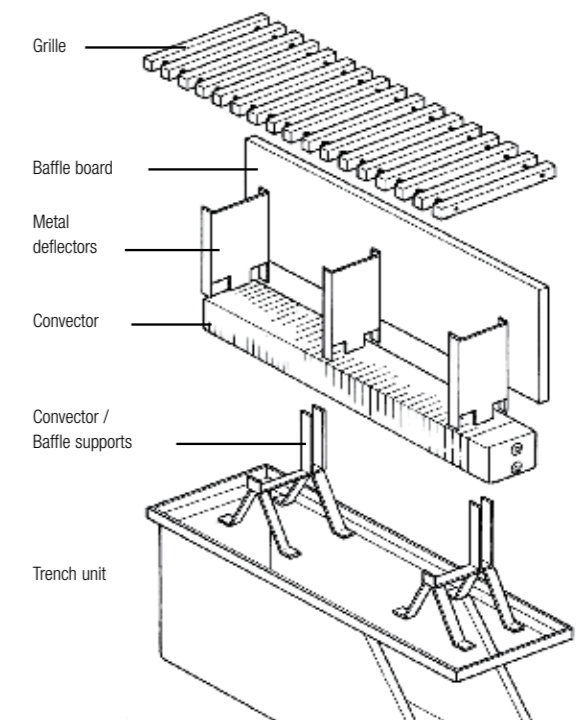
The illustration above shows a typical installation. Please note how the pipe work enters the Trench unit just below the frame prior to connection with the convector unit.

Please Note:

The Trench is available in standard sizes up to 2600mm, larger bespoke sizes can be provided in two formats;

1. For lengths over 2600mm we will normally quote on supplying separate trench units to fill the required dimensions. These are supplied with extended grille rails to allow for a continuous run of the grille covering.
2. A complete Trench unit up to 6000mm can be manufactured however these models will incur additional transport costs due to their size. For full details and to discuss your specific requirements please contact 01342 302250.

An exploded drawing showing the various components of the Trench



The cross section above shows the correct installation for the Trench unit. Please note the position of the convector unit against the outside edge with the baffle board in the centre of the Trench.

