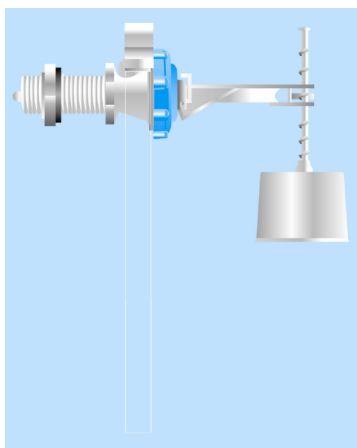


# Technical Specification Data Sheet

Product: B610 Side Entry Torbeck® WC Filling Valve



Approvals:

WRAS Approval No 0801078

Standards:

Conforms To BS1212 Part 4

Aprox Weight:

83g

Materials:

POM, Polypropylene & Rubber

Packaging:

Polythene Bag

Valve Type:

Part 4 Equilibrium Valve

## Product Specification

- Working Pressure – From 0.1 Bar to 10 Bar Mains Water Pressure
- Quiet Filling – Noise level below 60dB (Normal Conversation 60 – 70dB)
- Pressure Restrictors Supplied to control Flow rates
- Removable filtration - 200 Micron Filter
- Small foot print allows for fitting into tight cisterns
- Normal Working Temperature – 0°C – 20°C
- Inlet Thread – ½" BSP to suit tap connector
- Made From Recyclable Materials
- 100% Tested and Manufactured in Hereford, England, UK